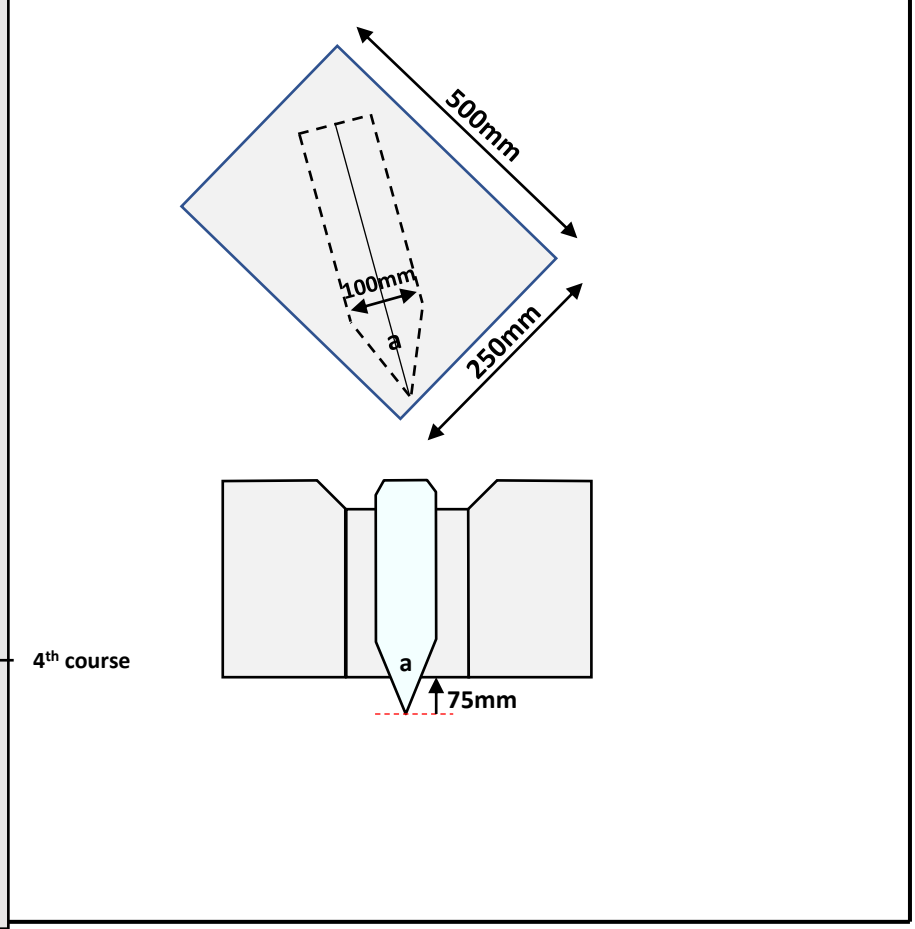


1.500m

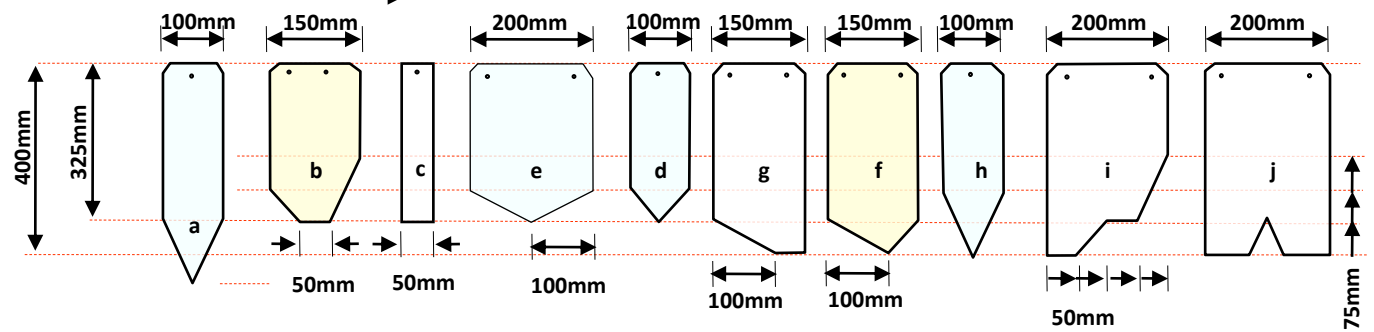


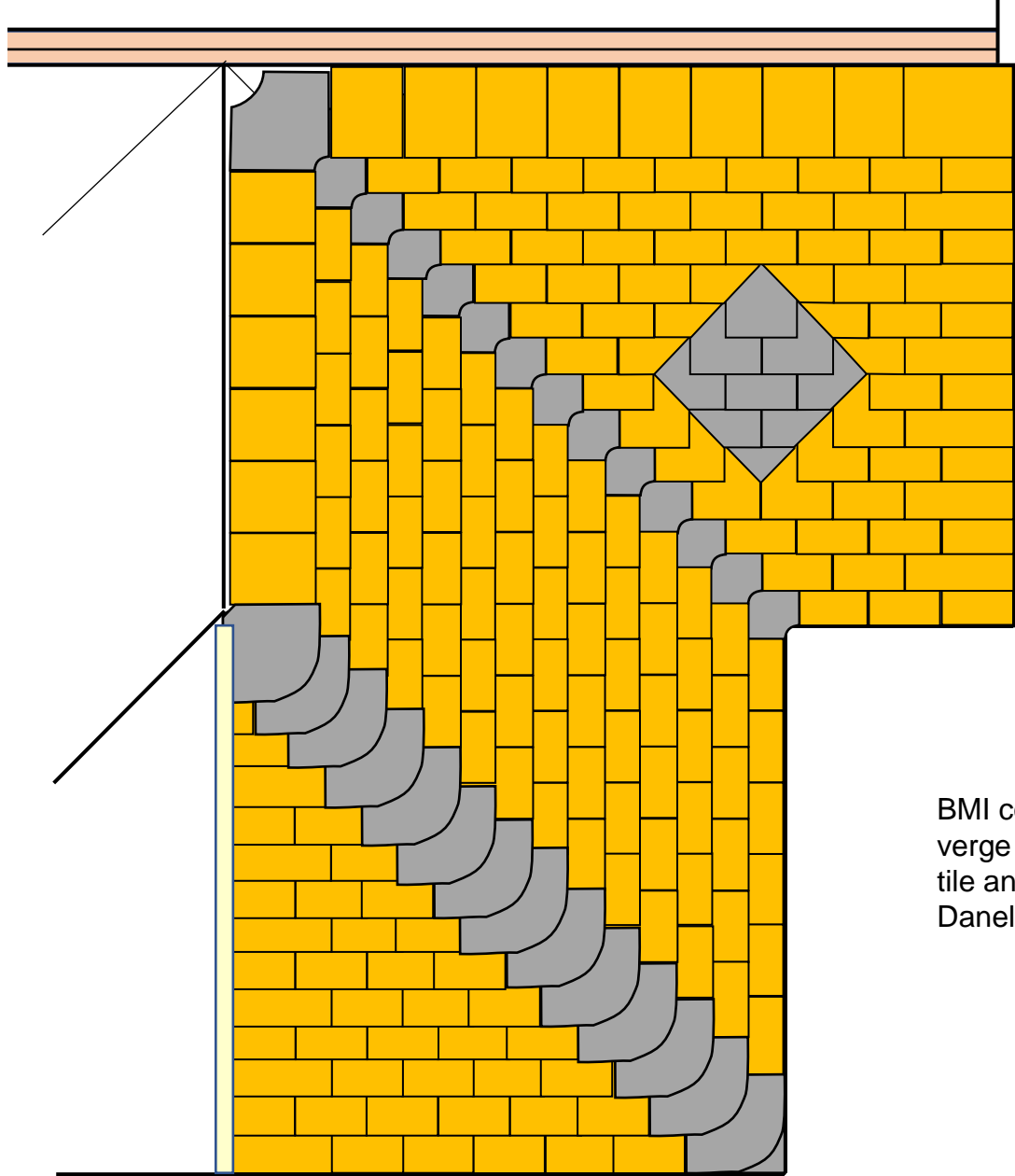
4th course

CUPA Pizarras Natural Slate to a verge and abutment incorporating an ornamental detail.

Lead soakers to abutment

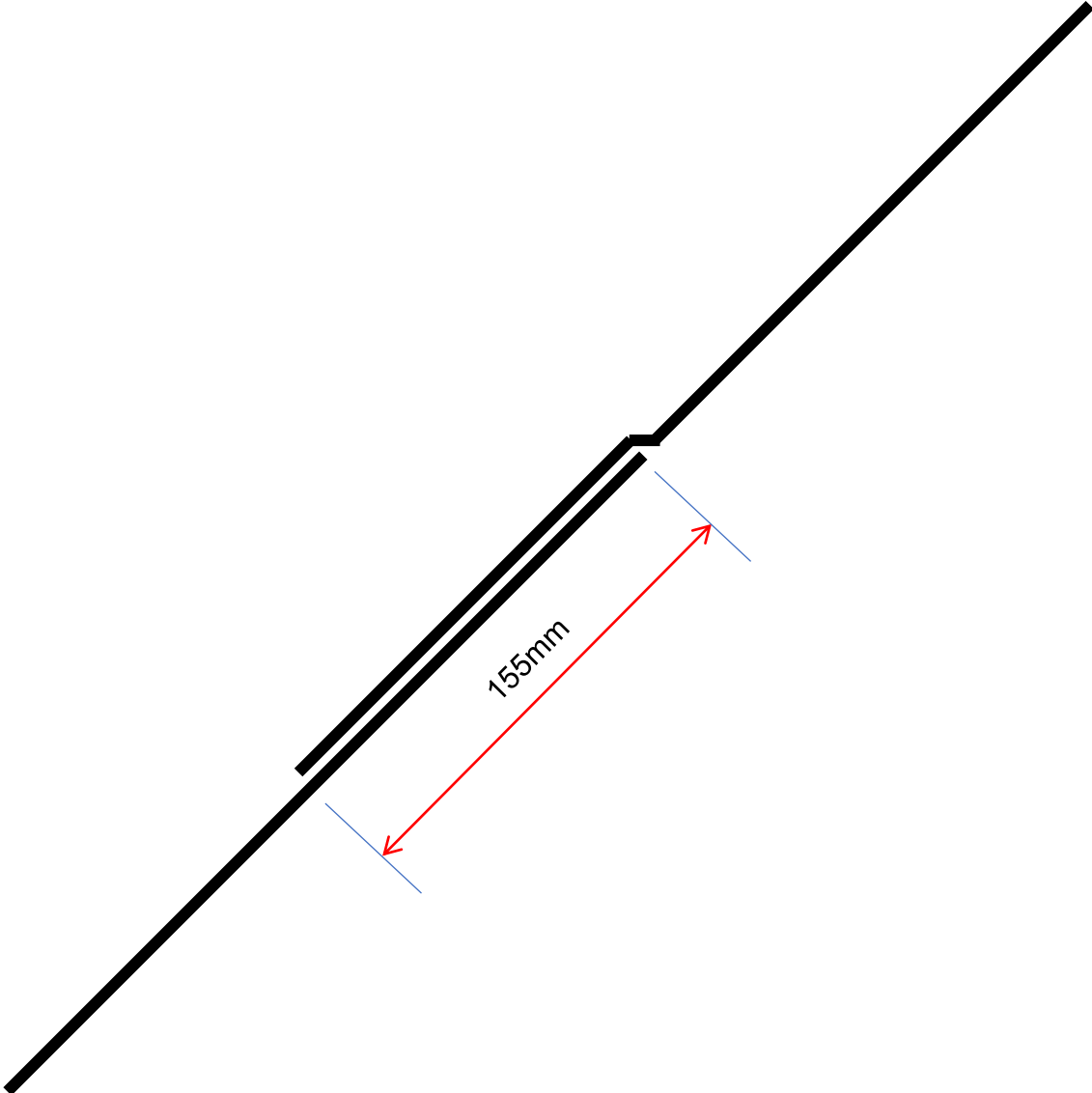
Wood roll with four 50mm lead straps and code 4 lead to ridge.



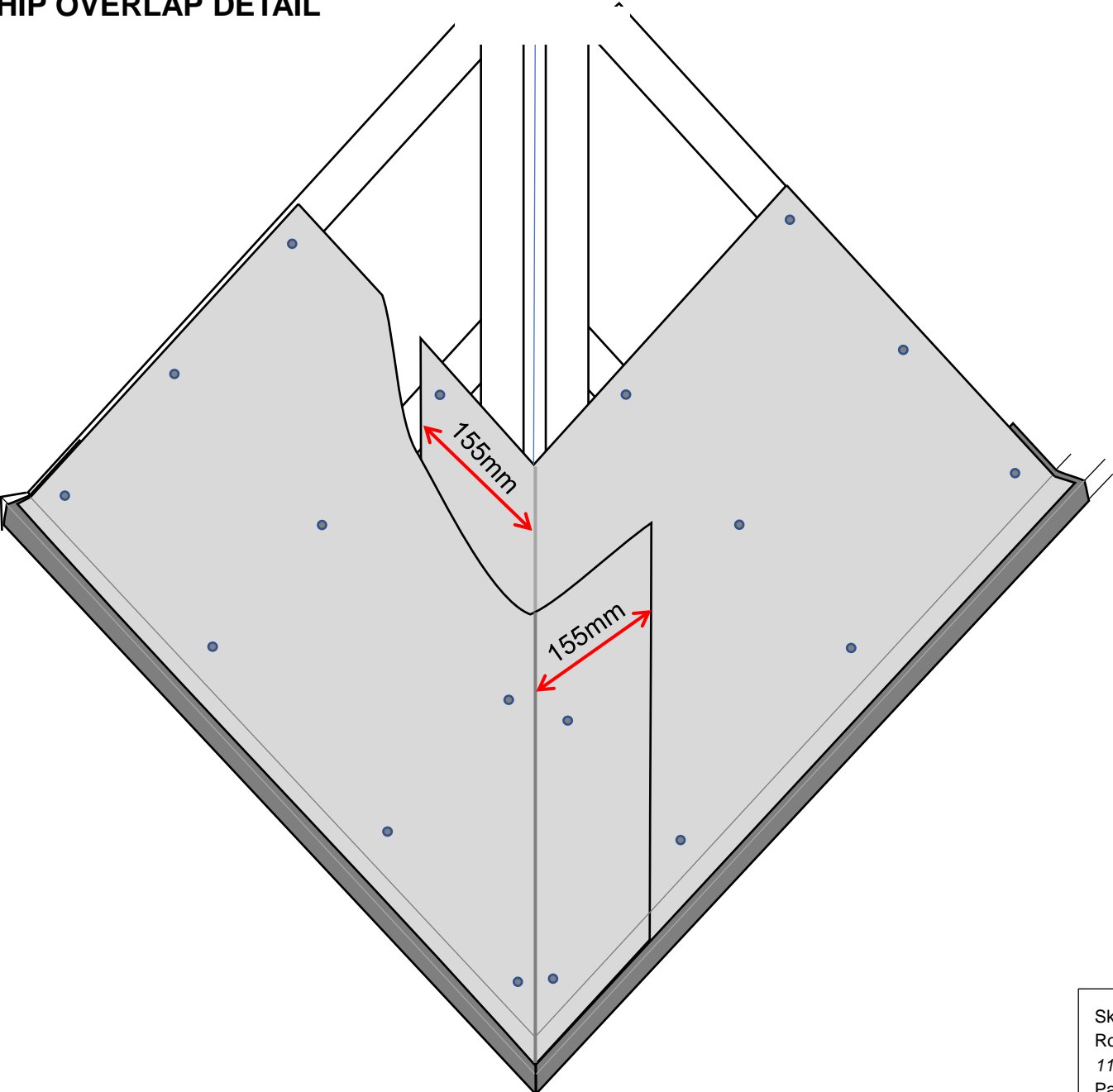


BMI concrete plain tiles hip and valley to a wet verge detail incorporating purpose made valley tile and bonnet hip tiles and Hambleside Danelaw GRP soakers to the abutment

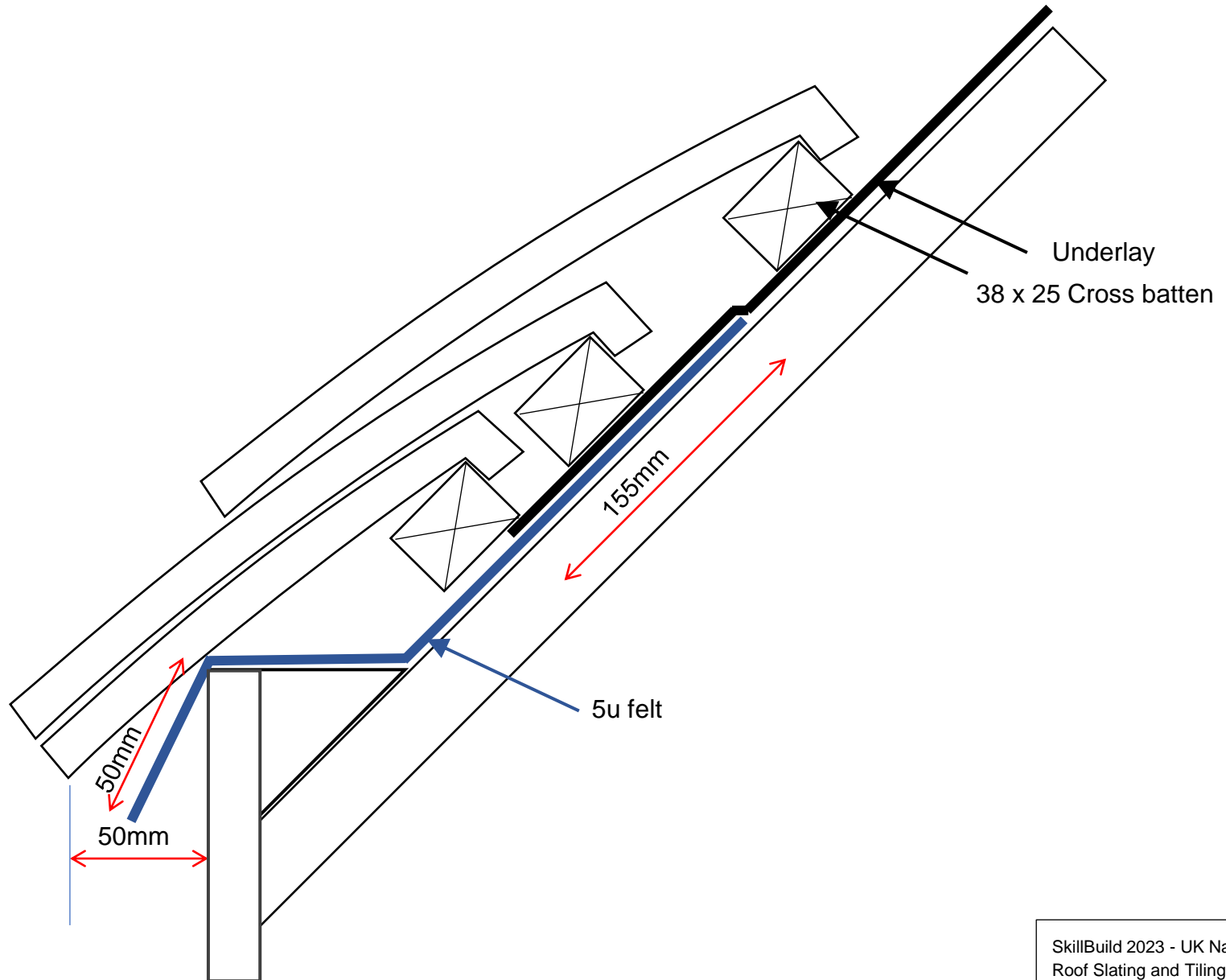
UNDERLAY HORIZONTAL LAP DETAIL



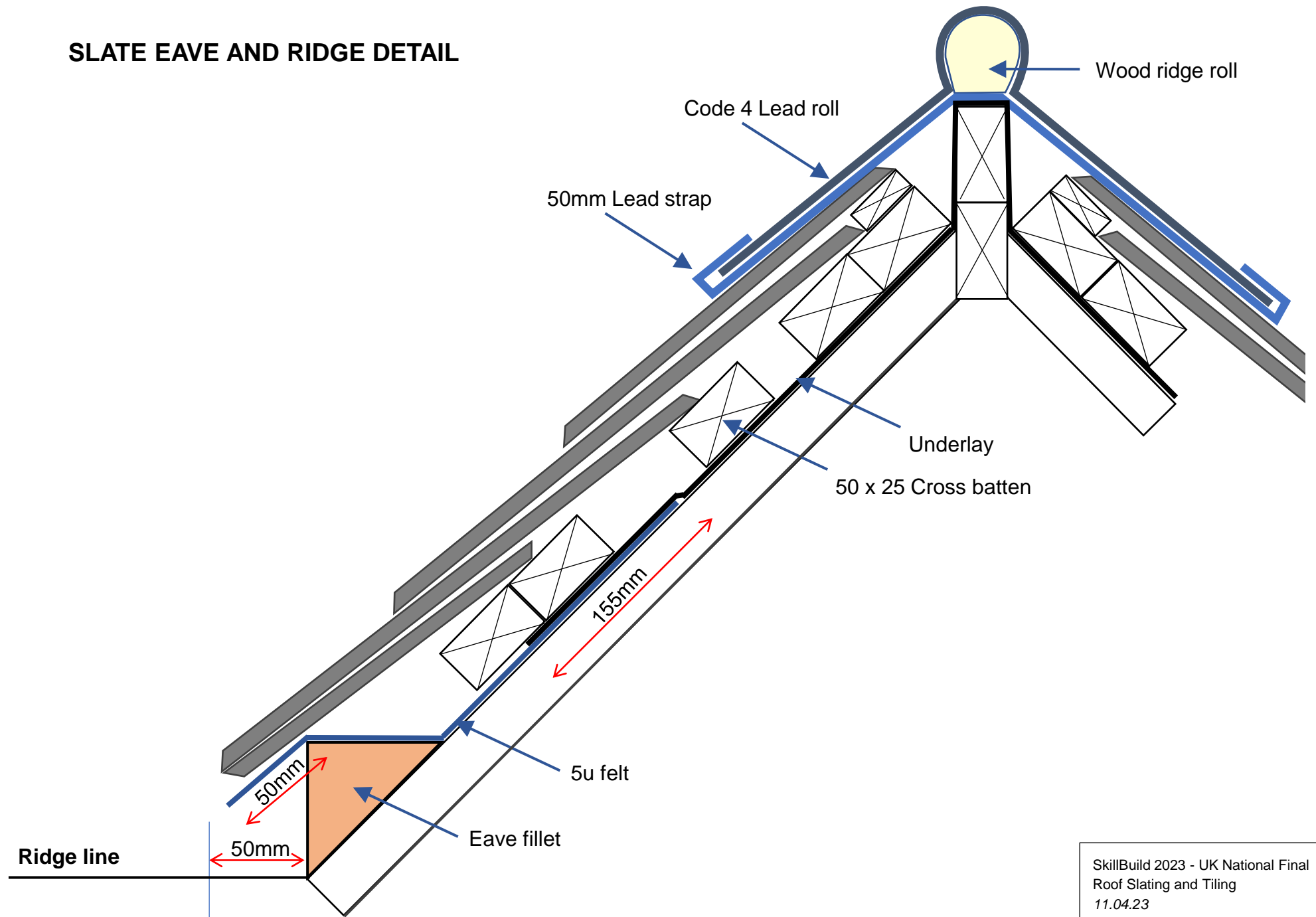
UNDERLAY HIP OVERLAP DETAIL



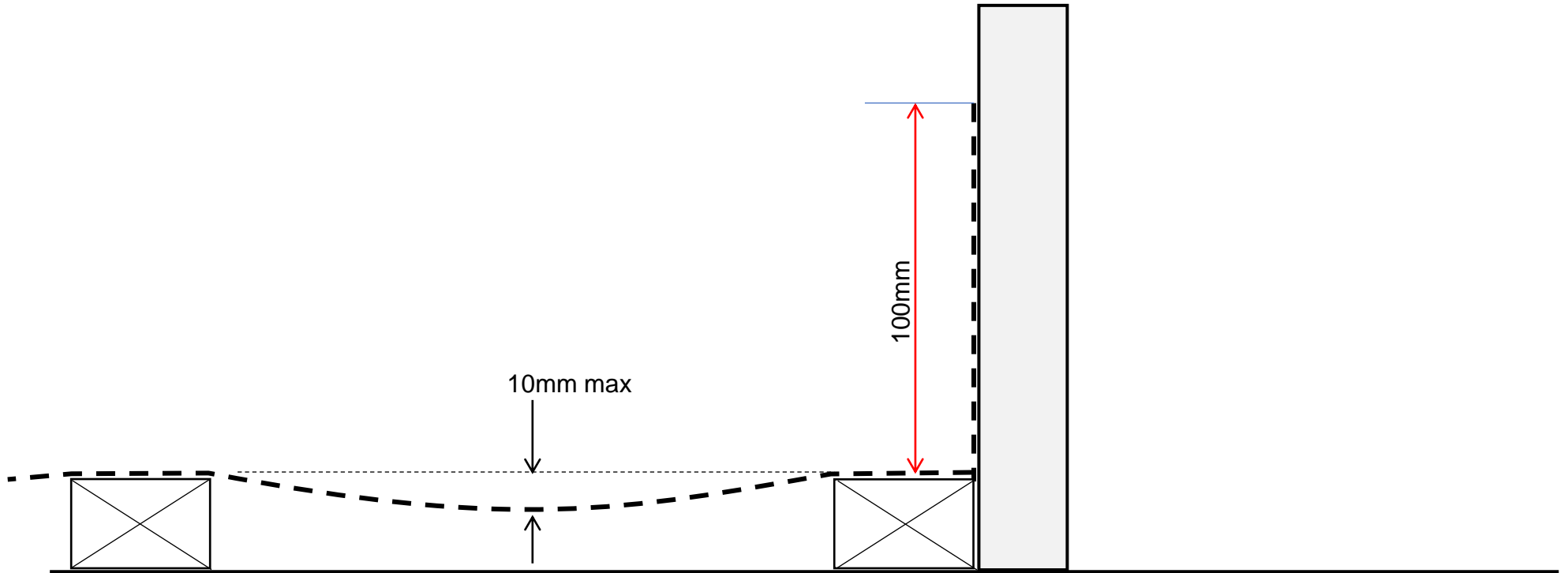
PLAIN TILE EAVE DETAIL



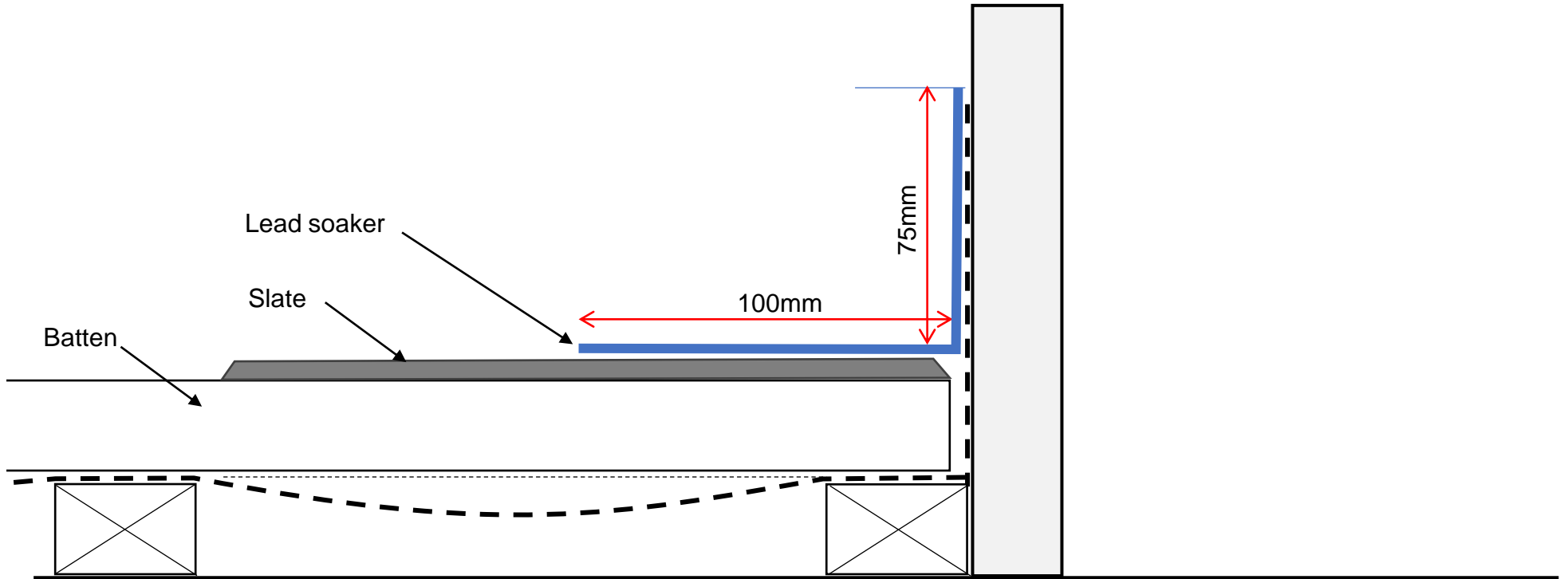
SLATE EAVE AND RIDGE DETAIL



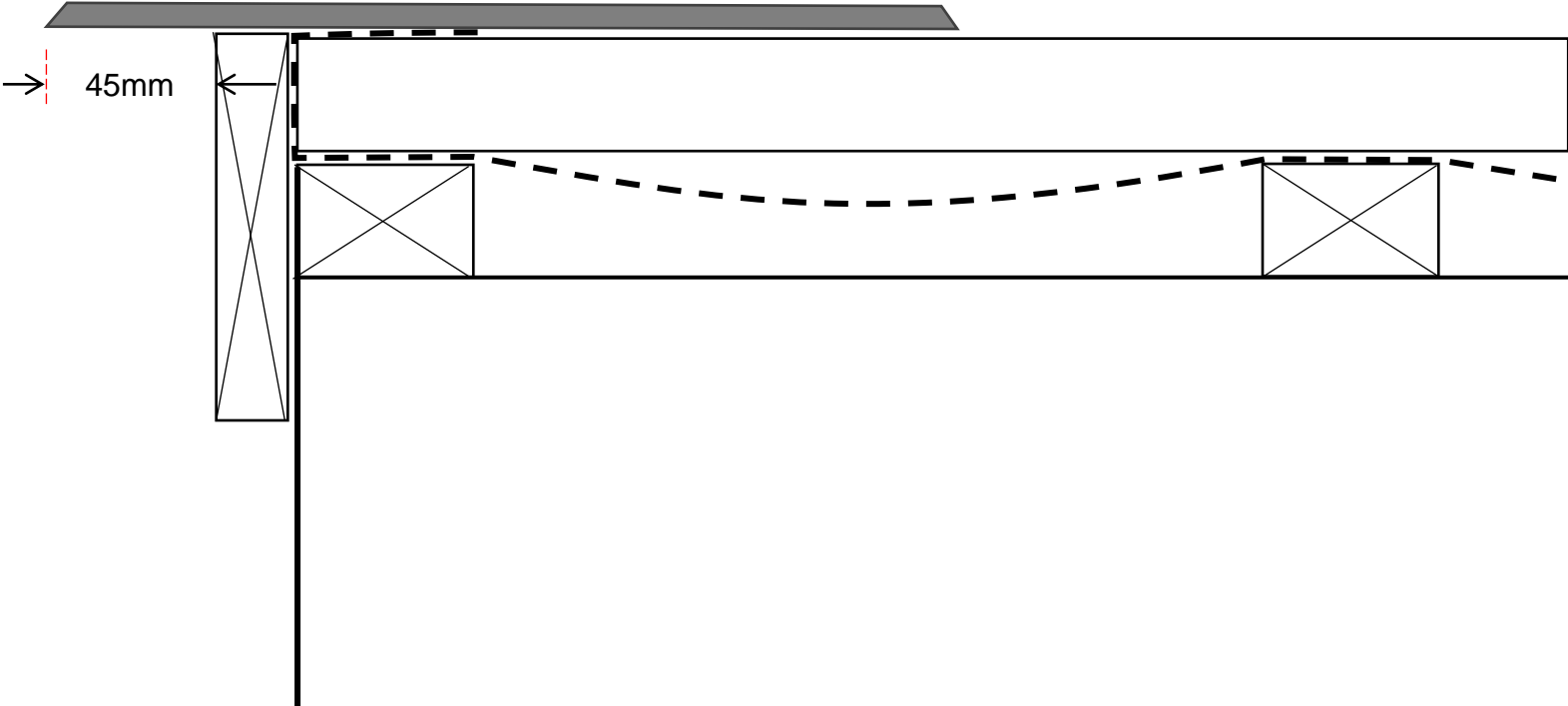
UNDERLAY ABUTMENT DETAIL



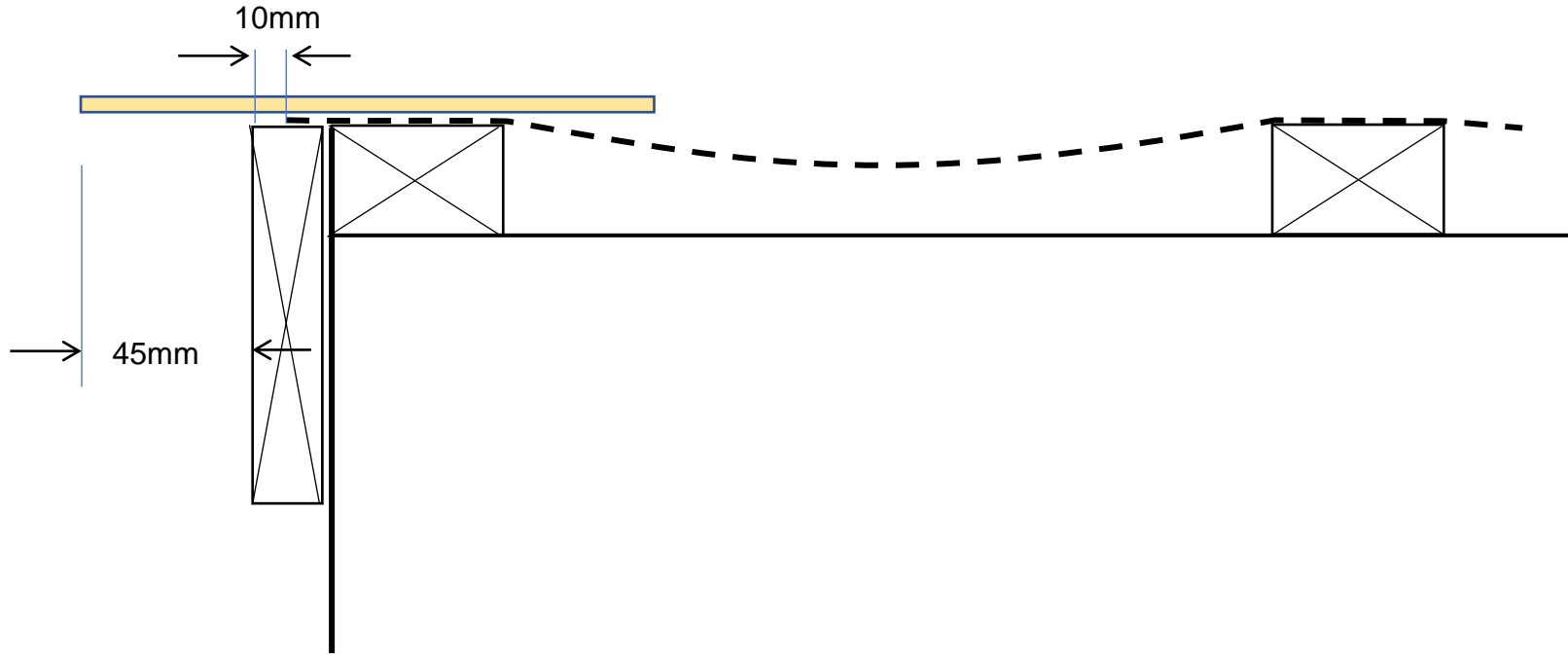
SLATE ABUTMENT DETAIL



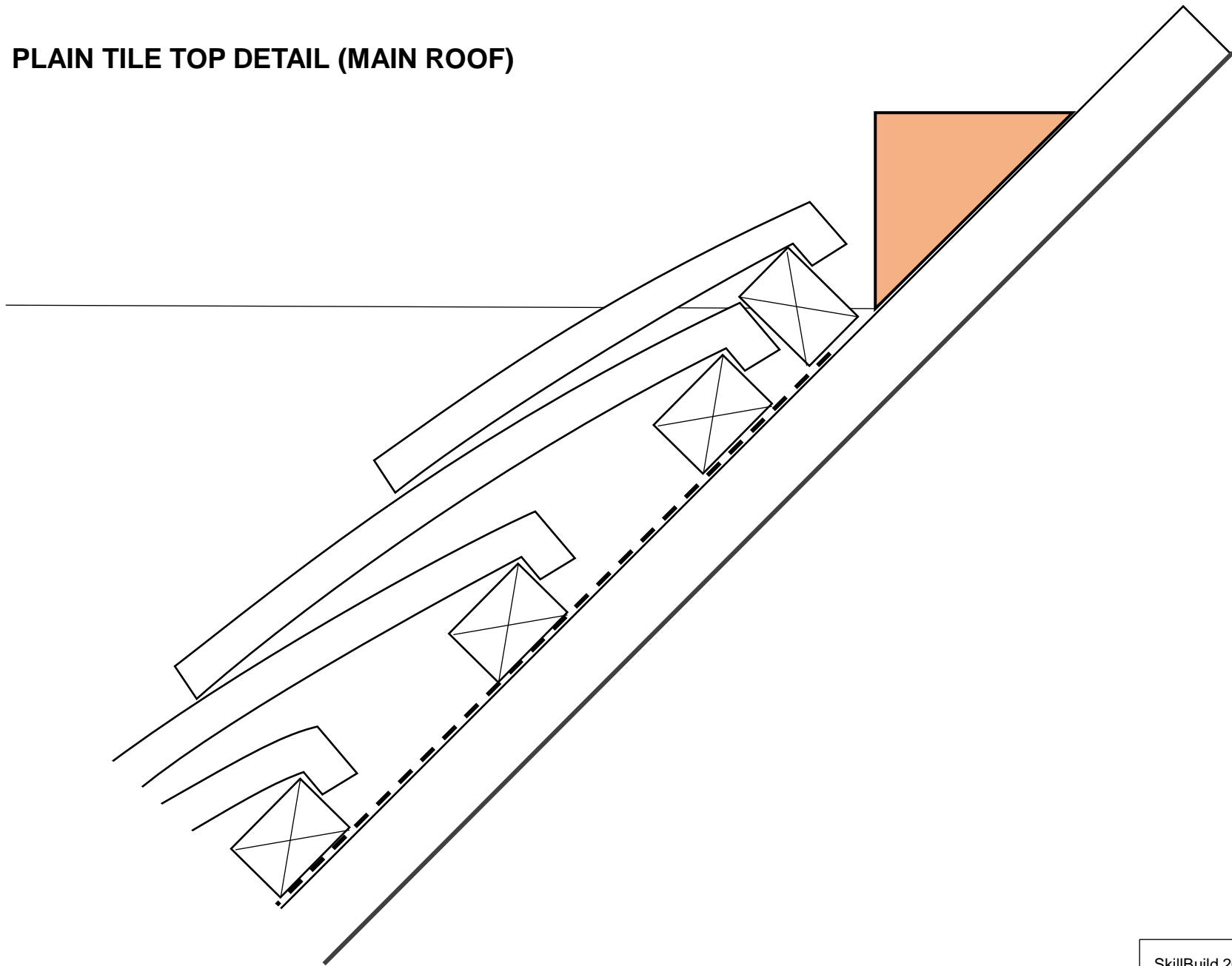
SLATE VERGE DETAIL



PLAIN TILE UNDERCLOAK VERGE DETAIL



PLAIN TILE TOP DETAIL (MAIN ROOF)



BATTEN HIP DETAIL

