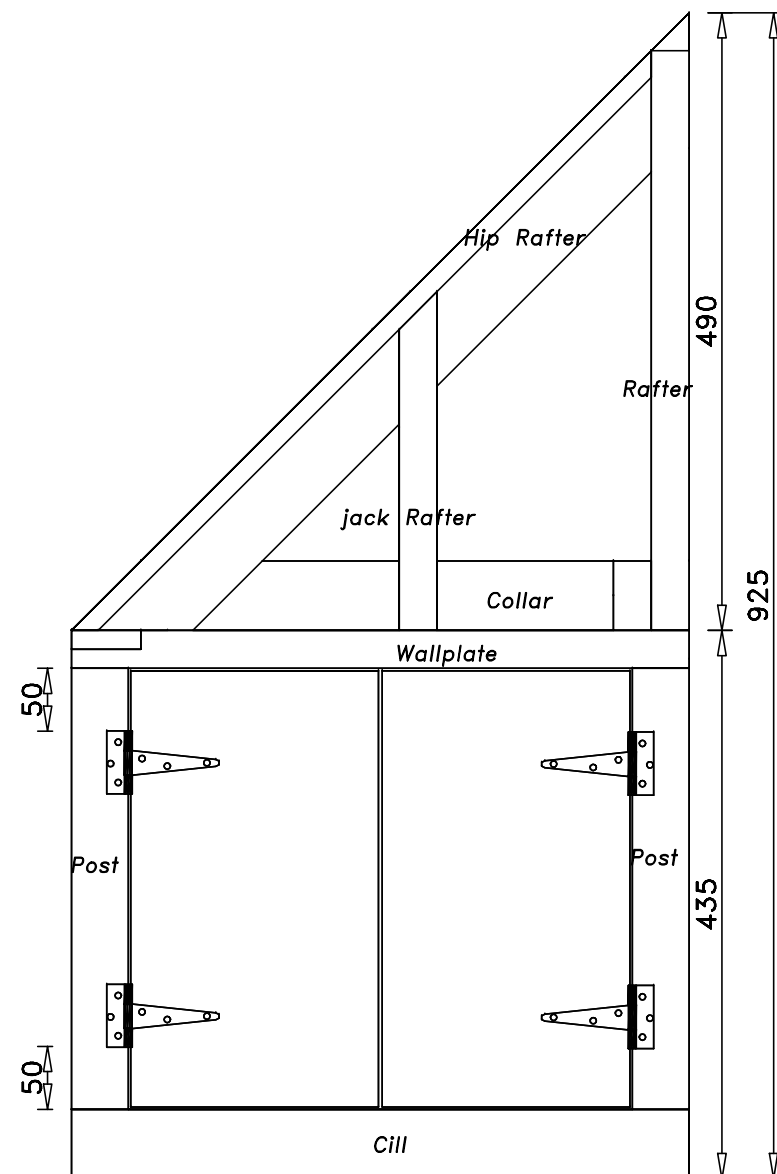
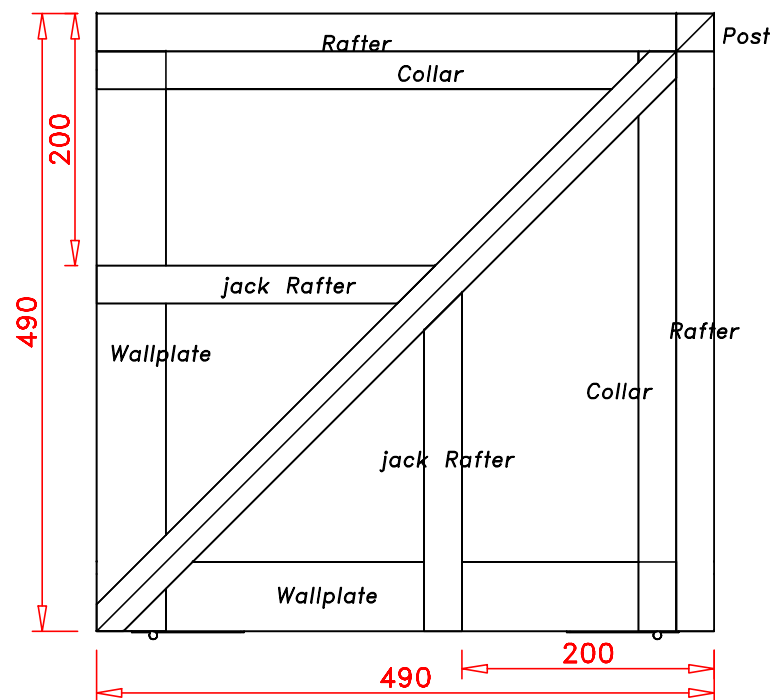


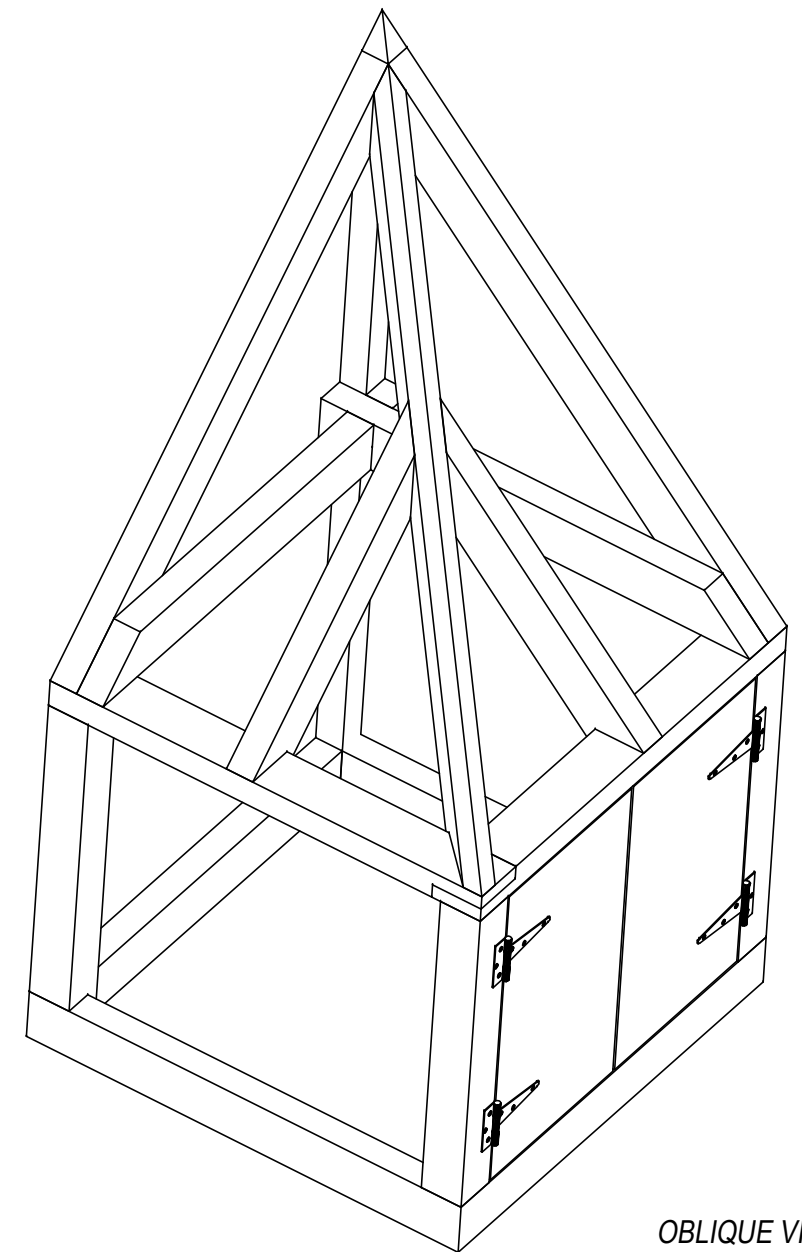
ELEVATION



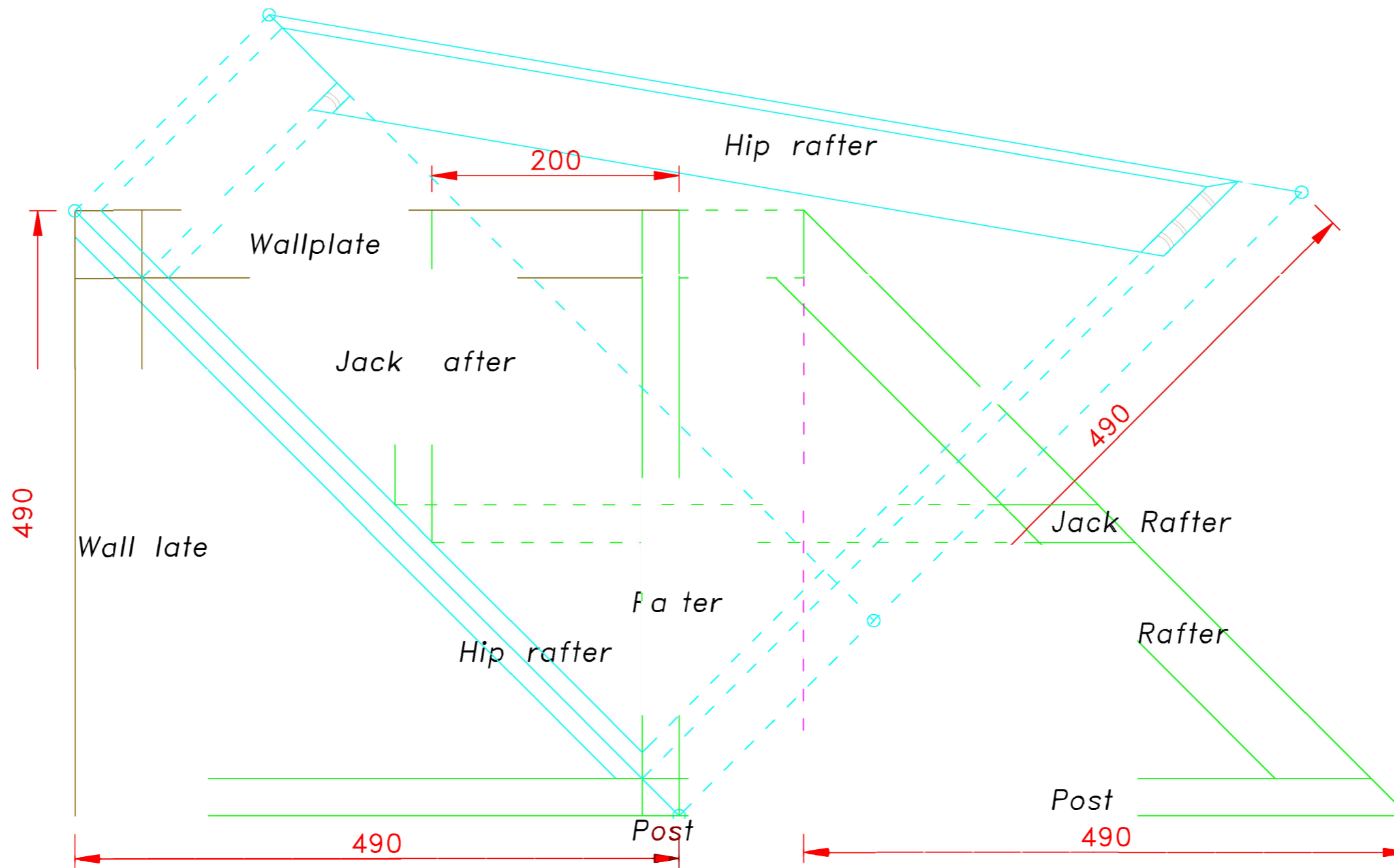
END ELEVATION



PLAN



OBLIQUE VIEW



Development of rafters