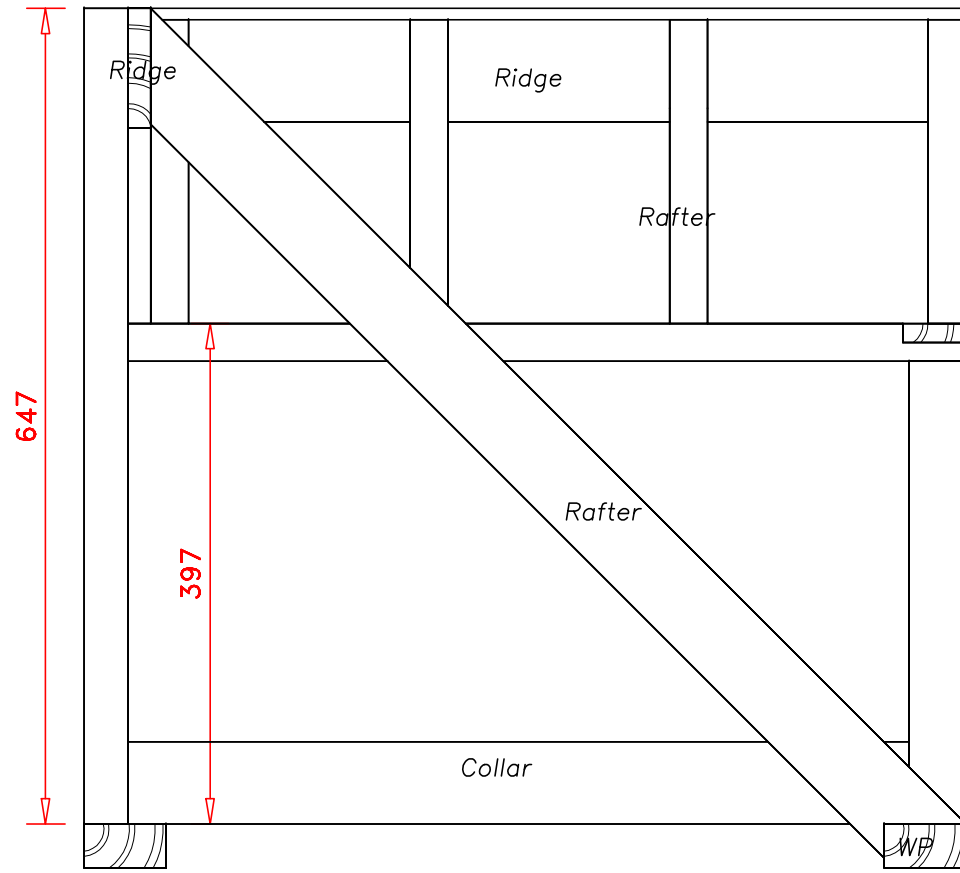
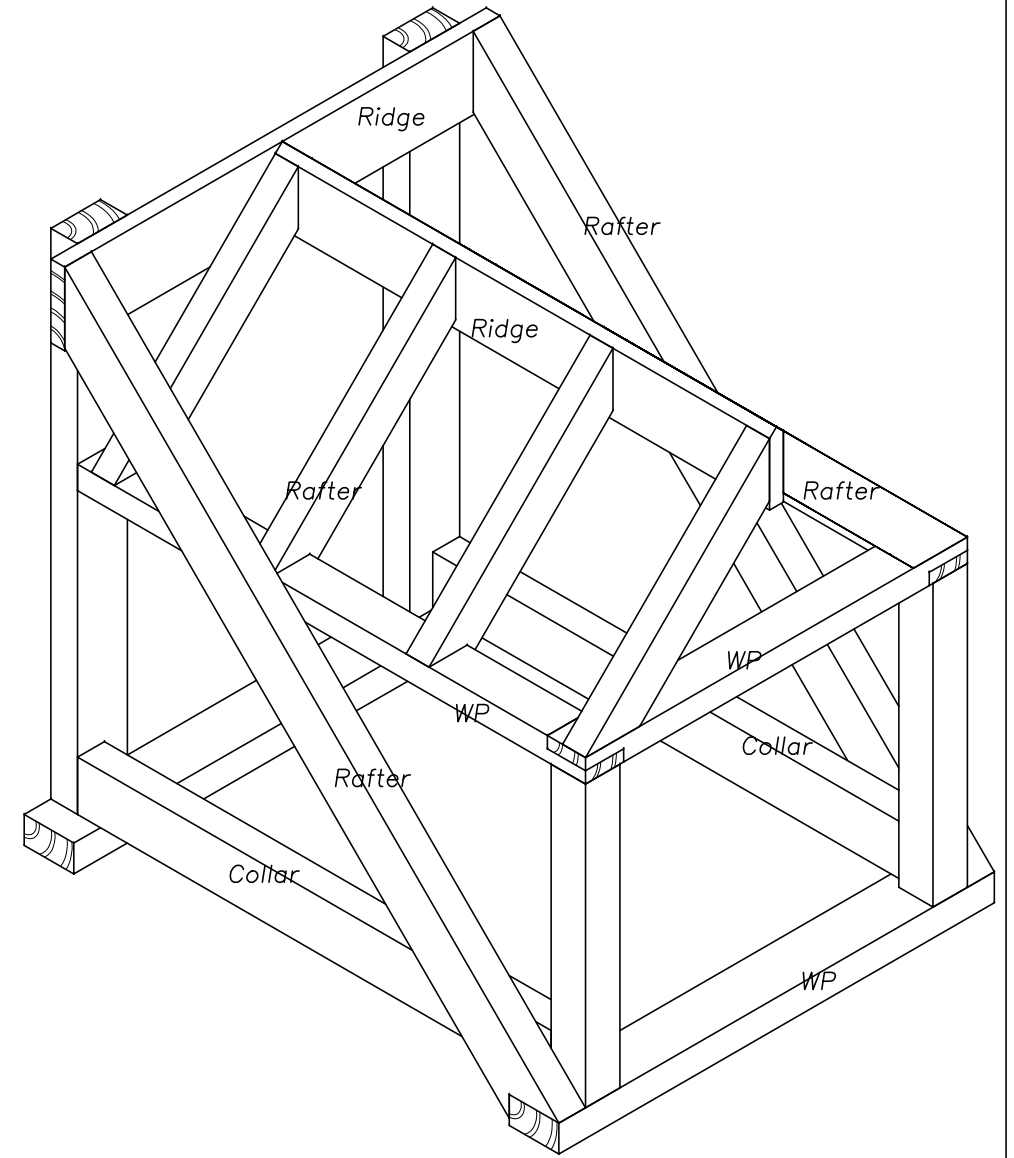


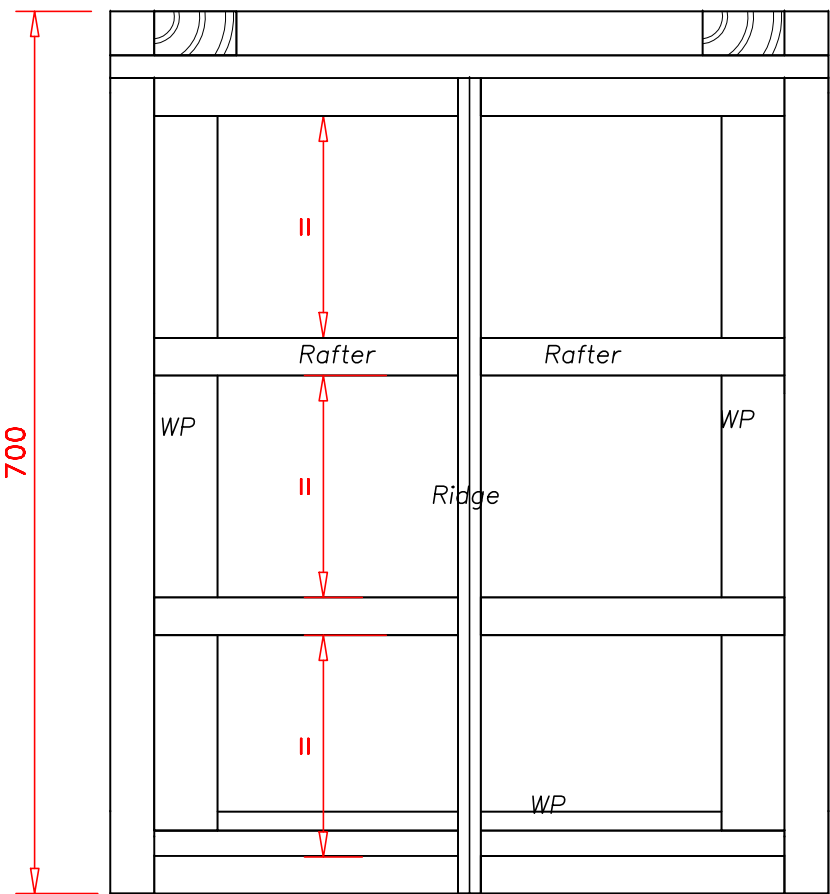
ELEVATION



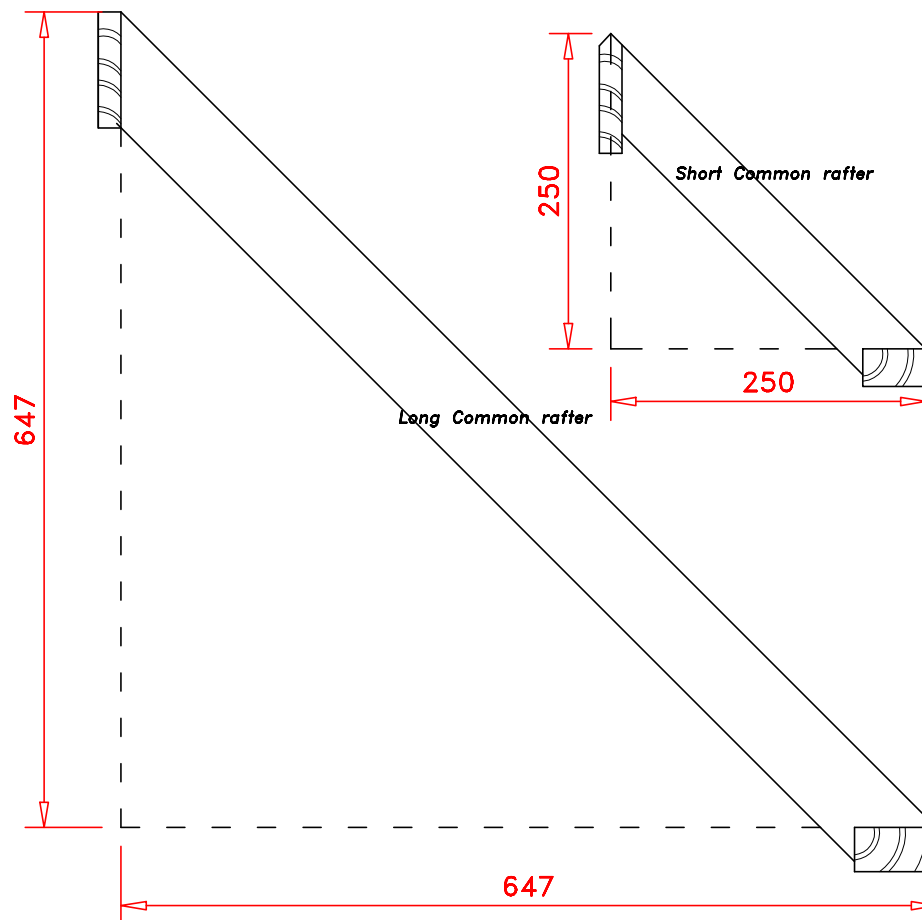
END ELEVATION



OBLIQUE VIEW



PLAN



Cutting list

Member	No	Length	Width	Thickness
Wallplates (WP)	2	600	65	35
Studs	2	700	65	35
Collars	2	700	65	35
Long rafters	2	1000	65	35
Ridge	2	700	95	18
Wallplates (WP)	3	700	50	30
Short rafters	8	400	50	30
Posts	2	400	45	45