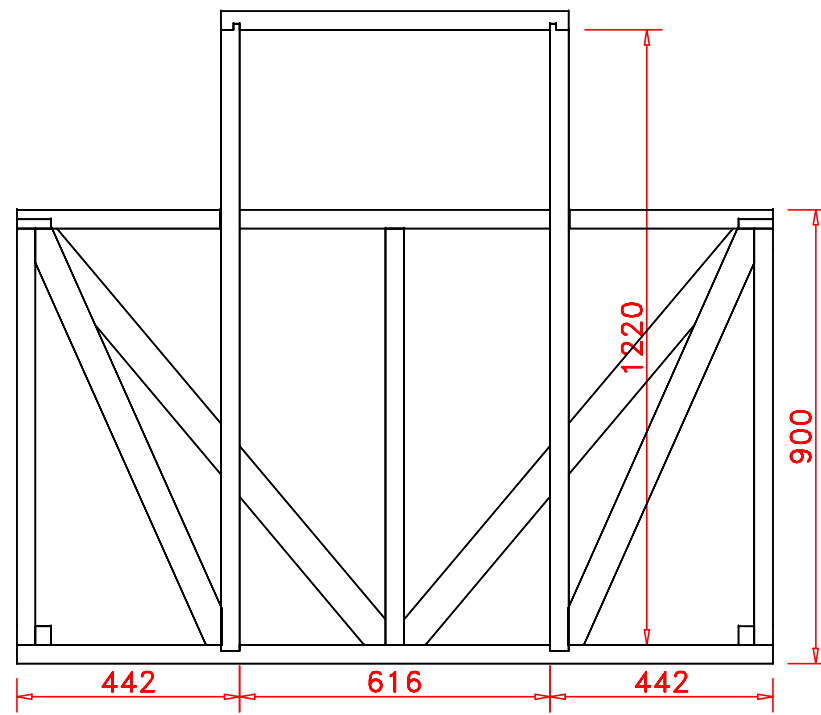
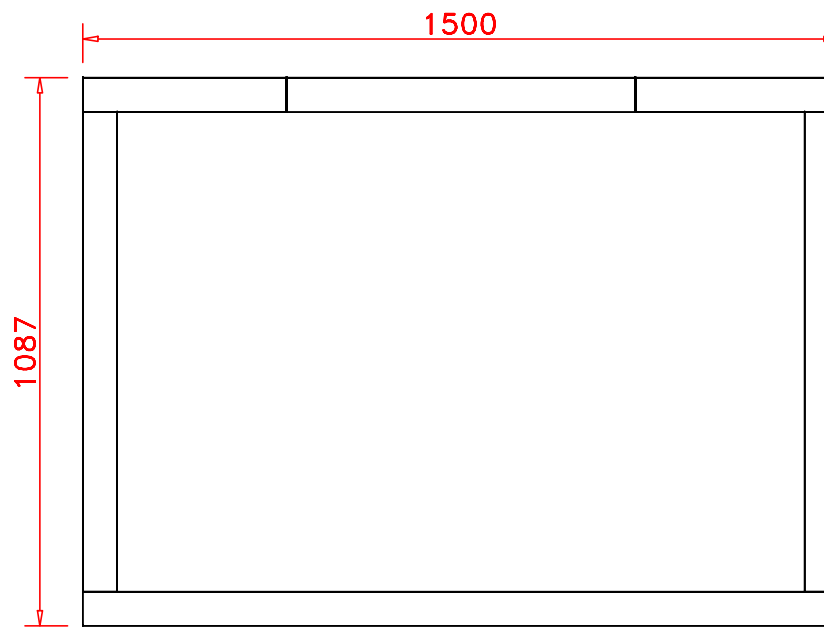
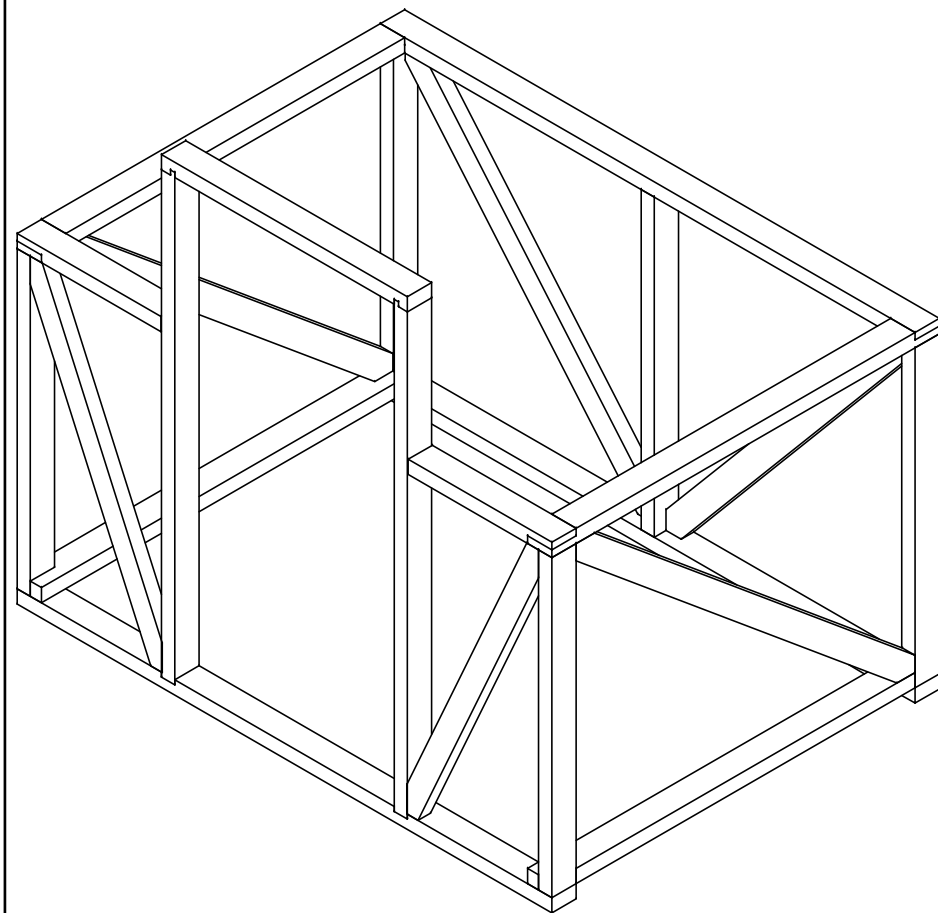
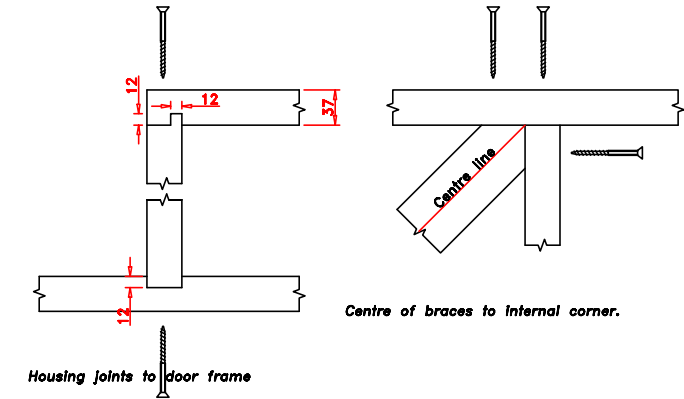


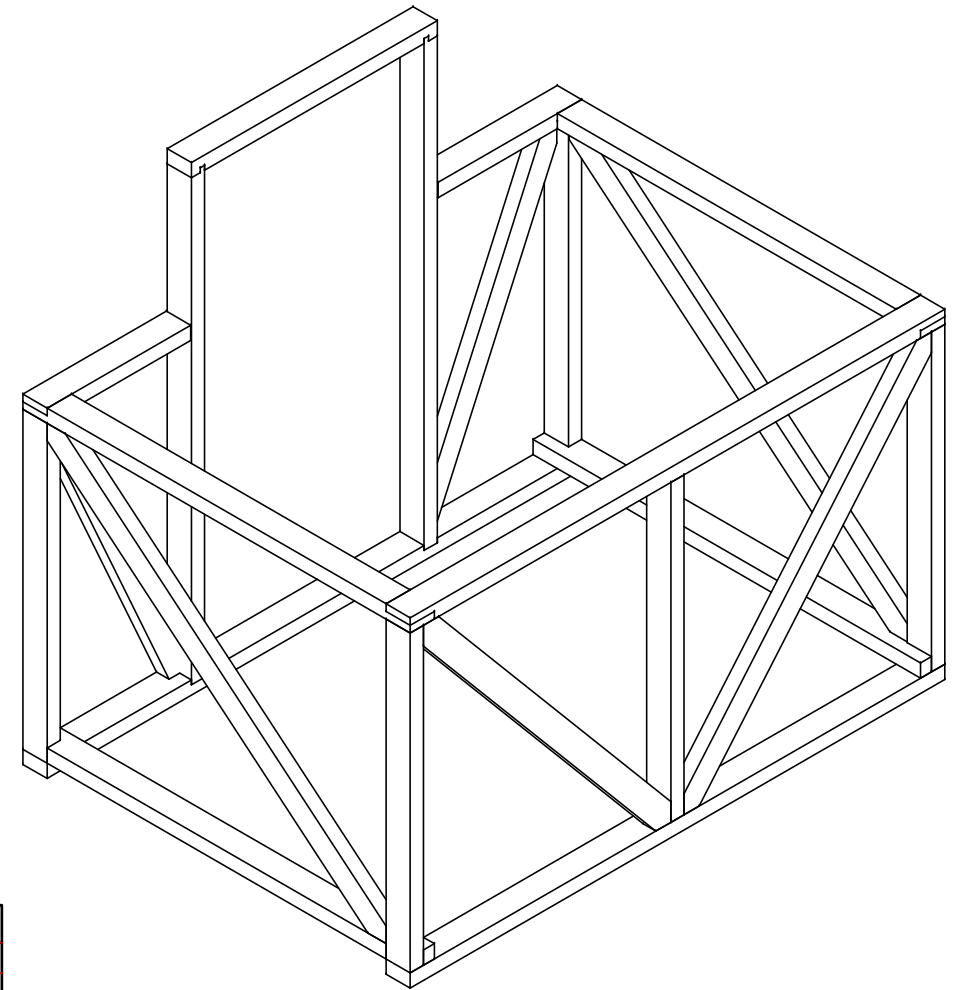
END ELEVATION



ELEVATION



PLAN



Member	Code	No	Length	Width	Thickness
Cills, heads	A	3	1550	68	37
Cills, heads	B	4	1150	68	37
Short heads	C	2	450	68	37
Studs	D	5	850	68	37
Braces	E	2	1300	65	35
Braces	F	2	1150	65	35
Braces	G	2	950	58	35
Door Jambs	H	2	1300	68	37
Door Head	I	1	700	68	37