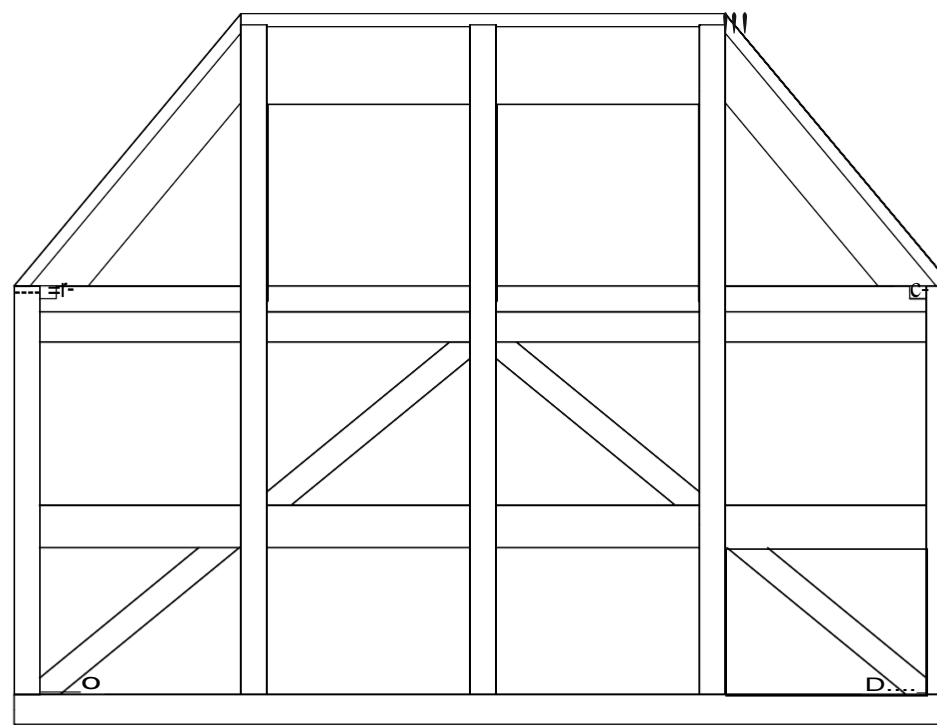
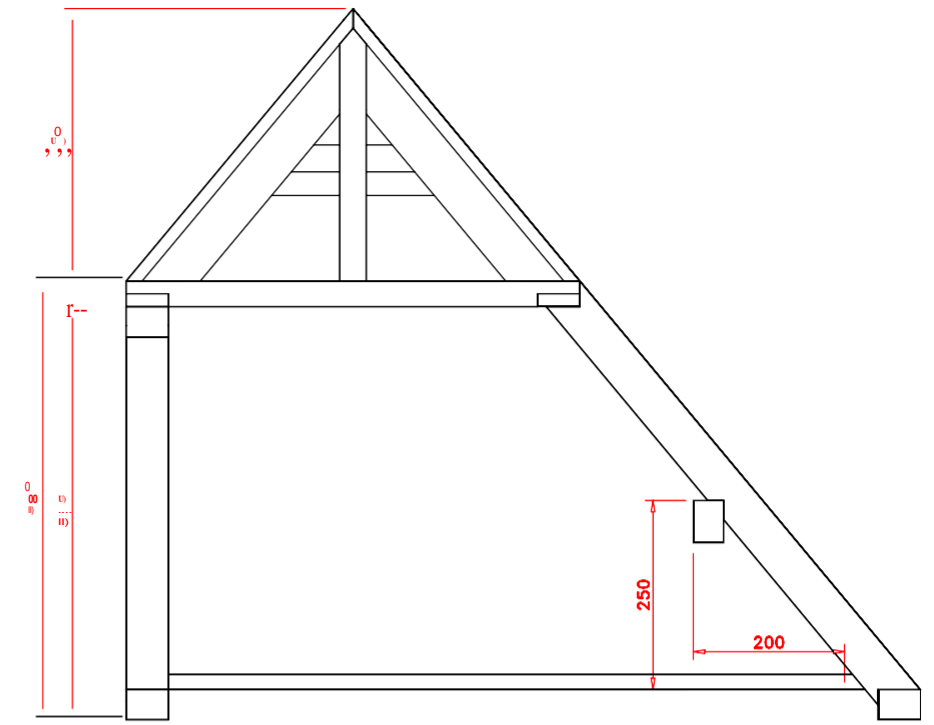


END ELEVATION

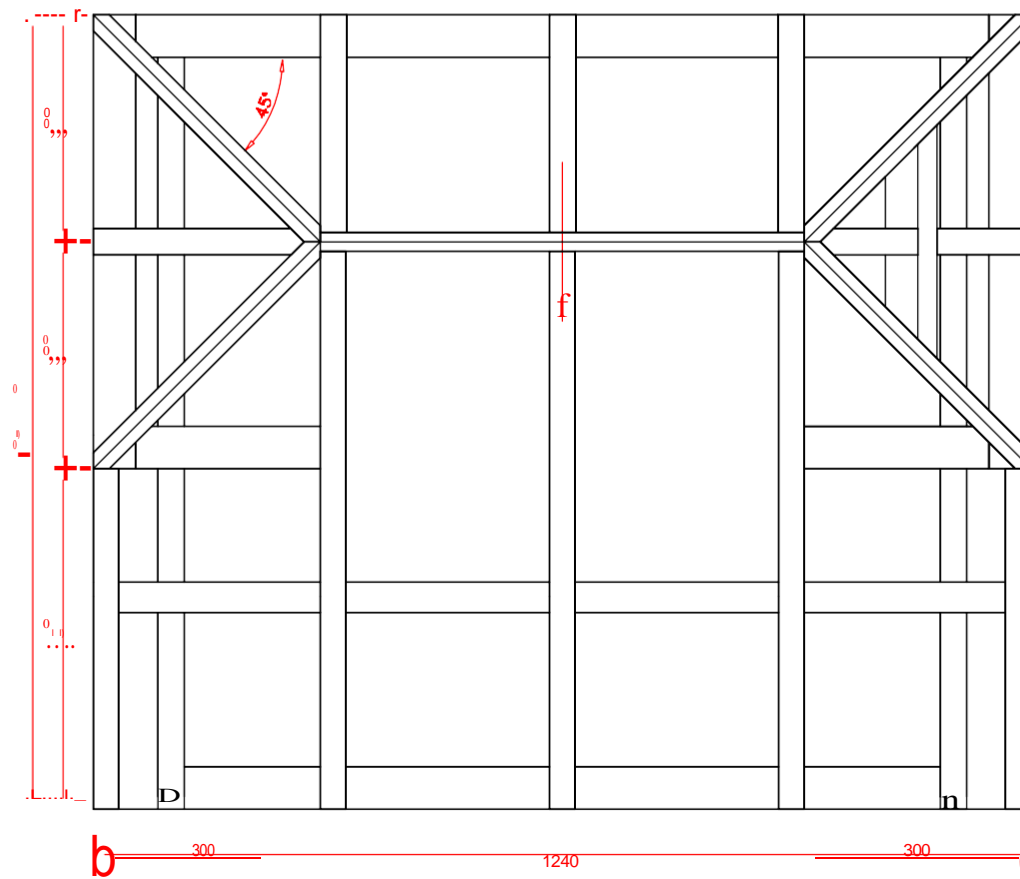


ELEVATION

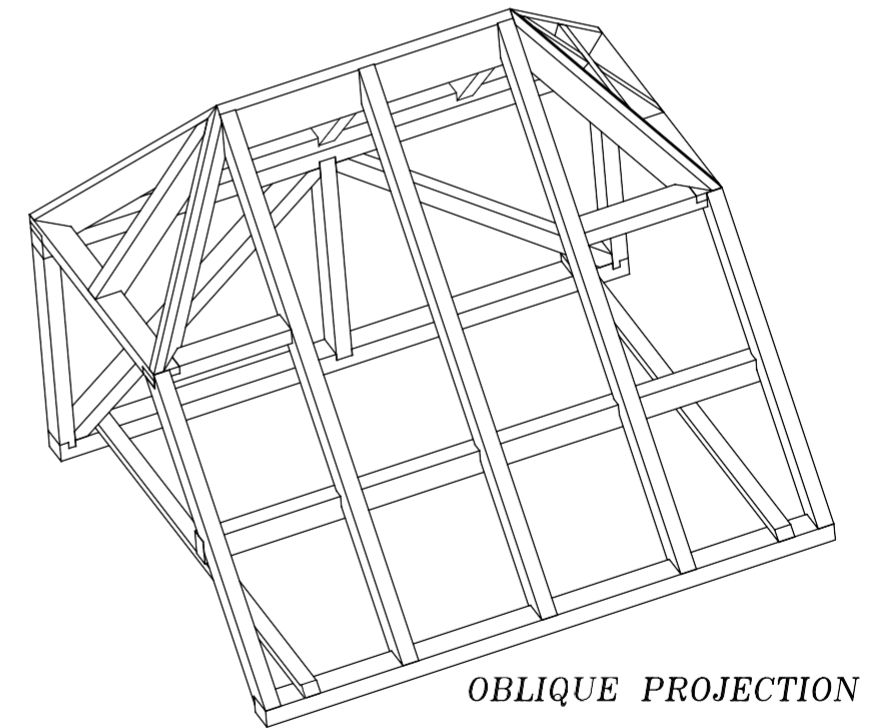


END ELEVATION

Member	No	Length	Width	Thickness
Ci/l, head, WP	3	1300	56	40
Studs	3	600	56	34
Braces	2	750	56	34
Long Wal/plates	1	1300	56	40
Short Wal/plates	2	650	56	34
Short Wal/plates	2	350	56	34
Long Rafters	3	1200	56	34
Gable Rafters	2	750	56	34
Short Rafters	4	500	56	34
Hip Rafters	4	600	80	30
Long Purlin	1	1300	56	40
Short Purlin	1	300	56	40
Ridge	1	700	120	25
Straps	2	1100	34	20



PLAN



OBLIQUE PROJECTION