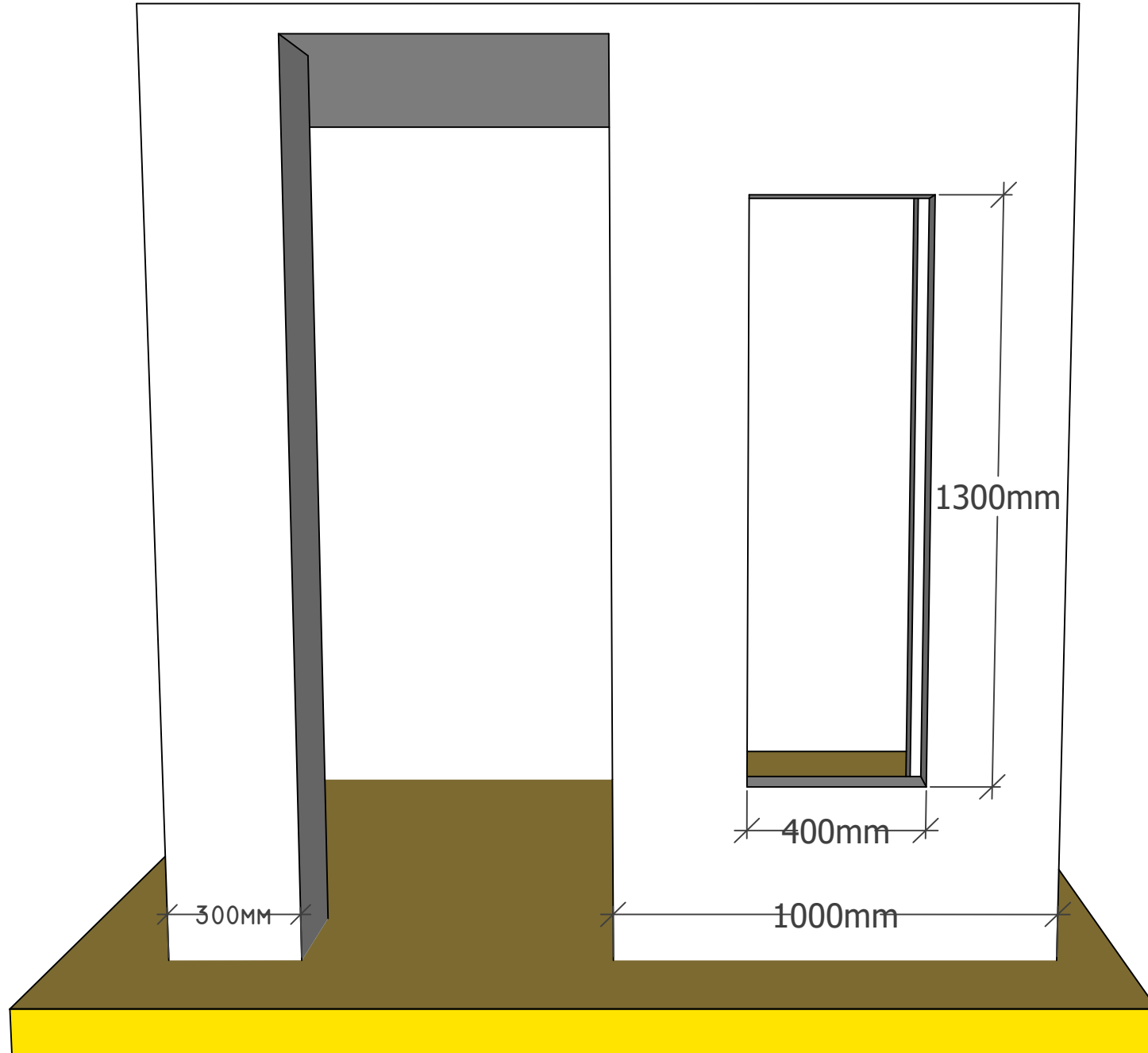
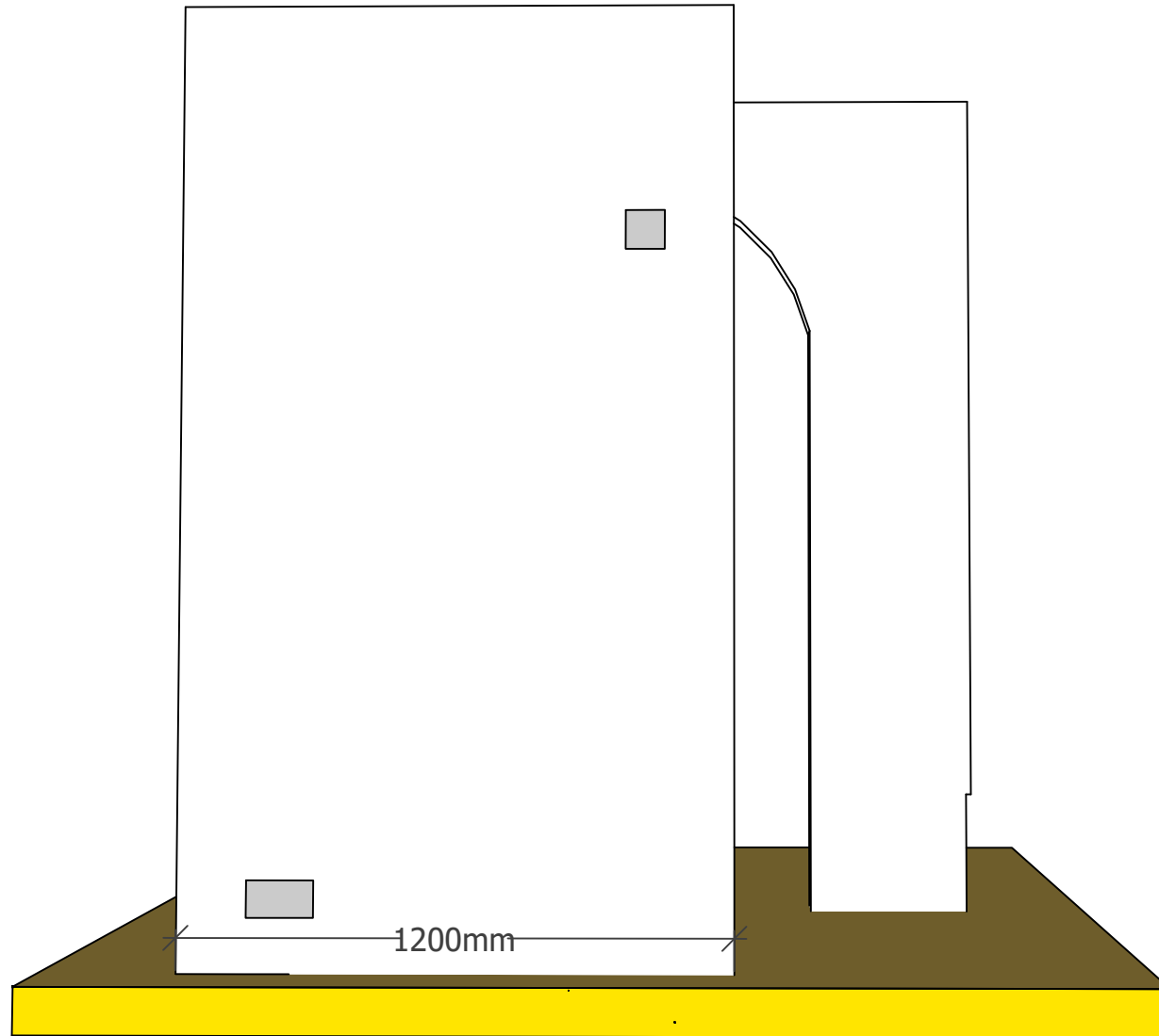


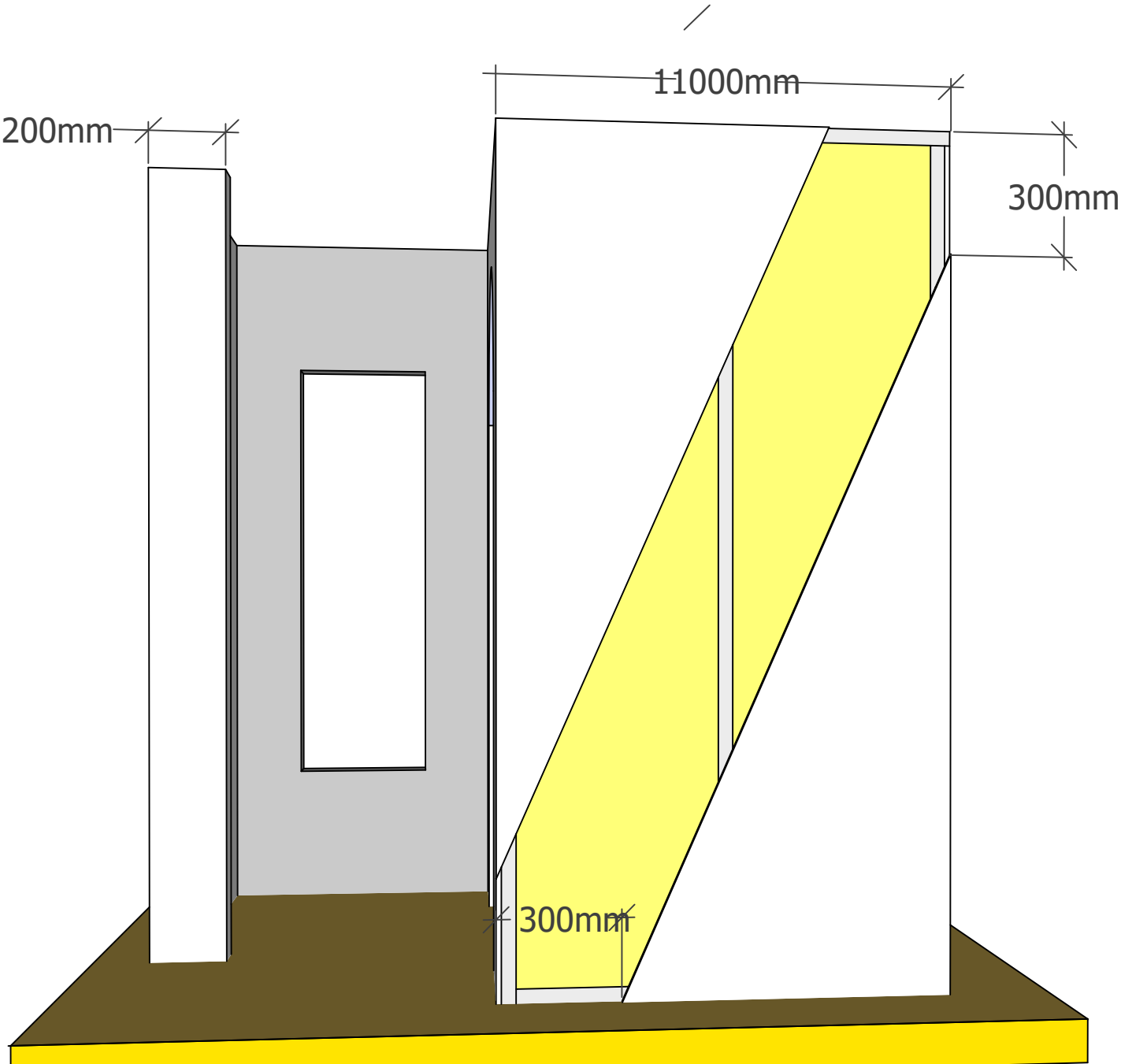
PLAN VIEW



Elevation A



Elevation B



Elevation C

