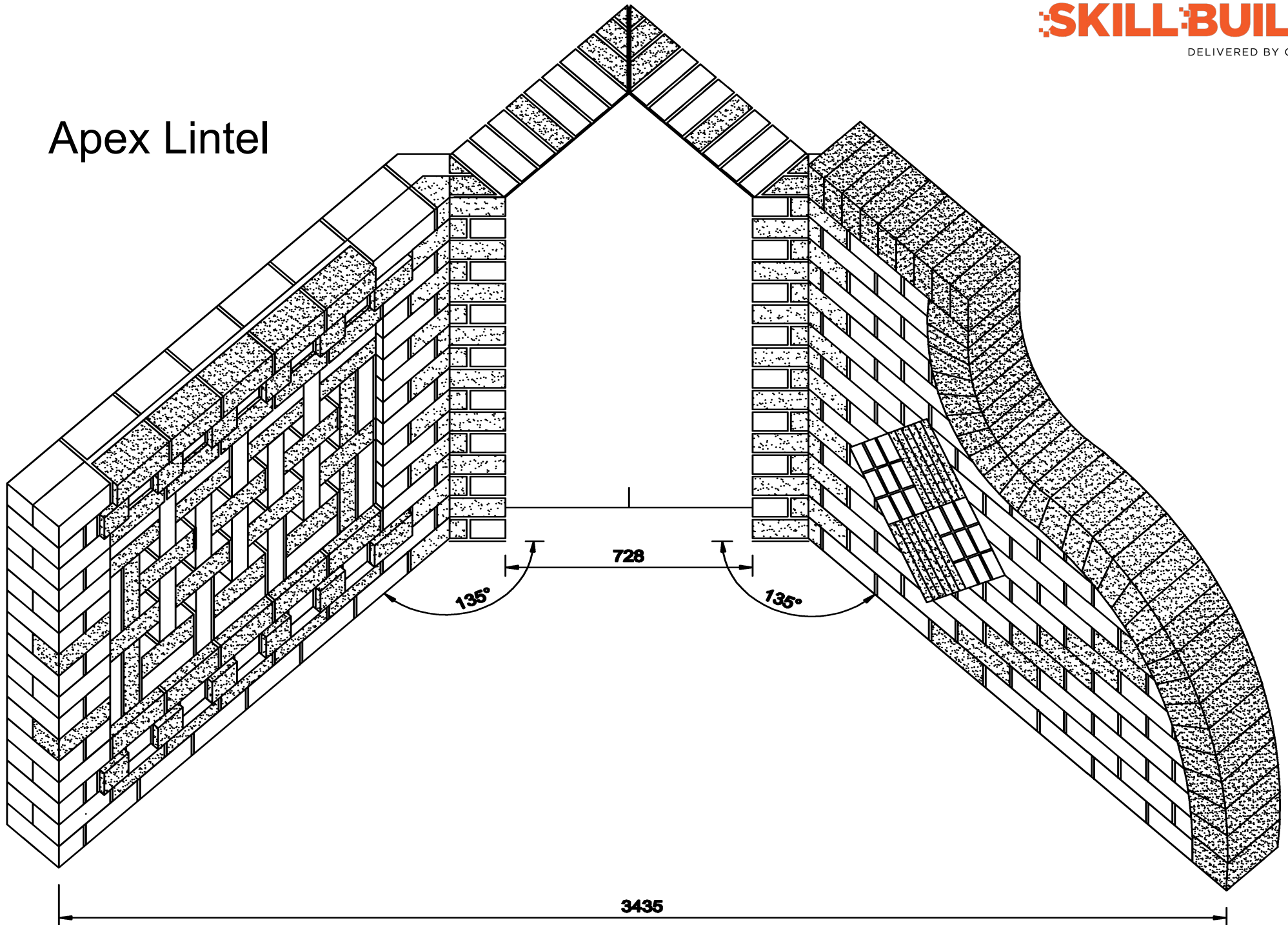
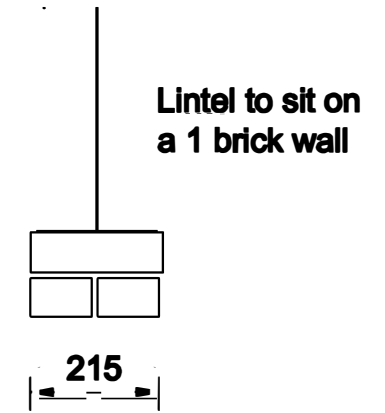
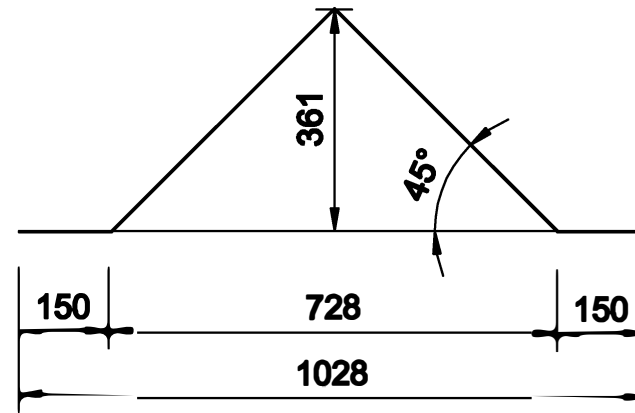
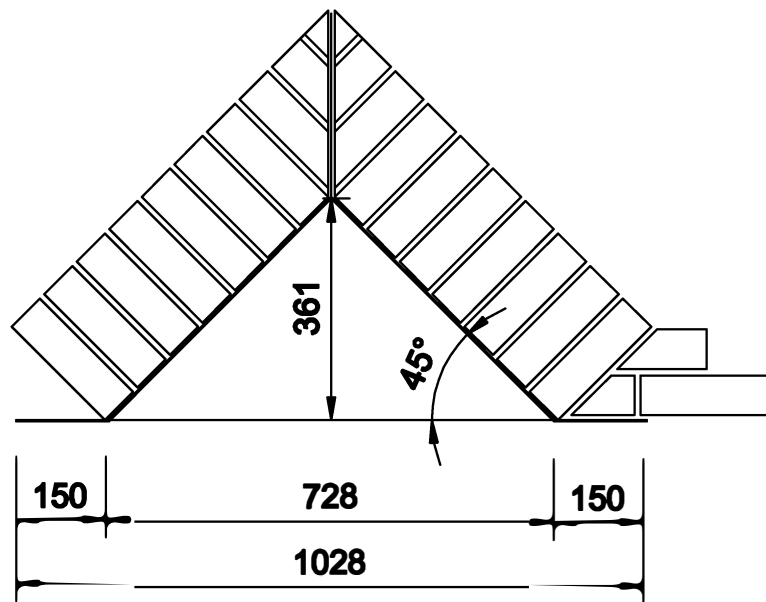


Apex Lintel



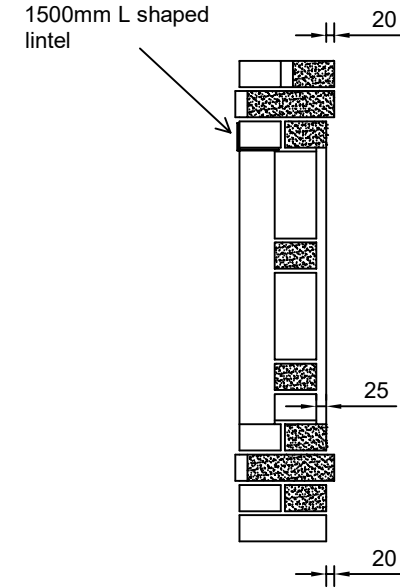
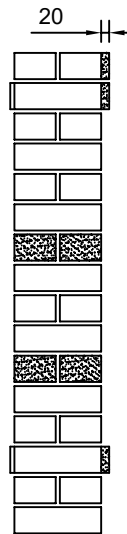
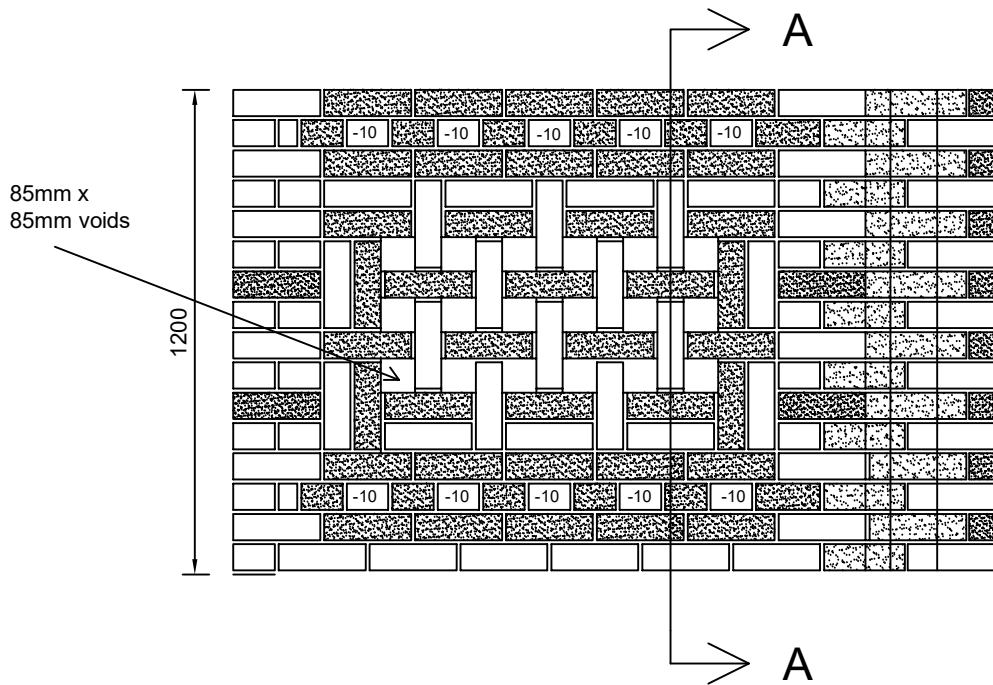
Keystone Apex Lintel



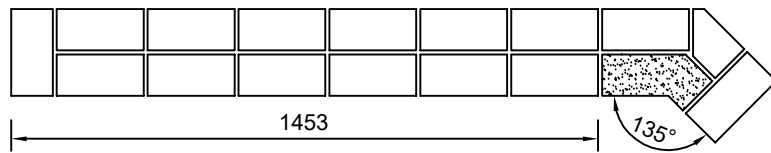
Interlacing Bond Panel

End Elevation

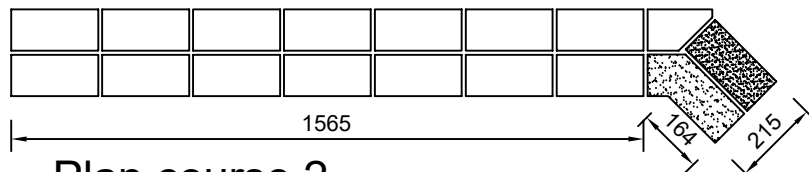
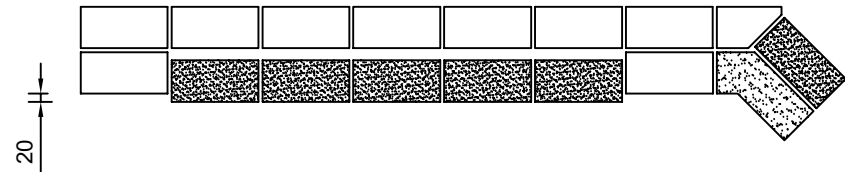
Section A - A



Plan course 1



Plan of Top Course



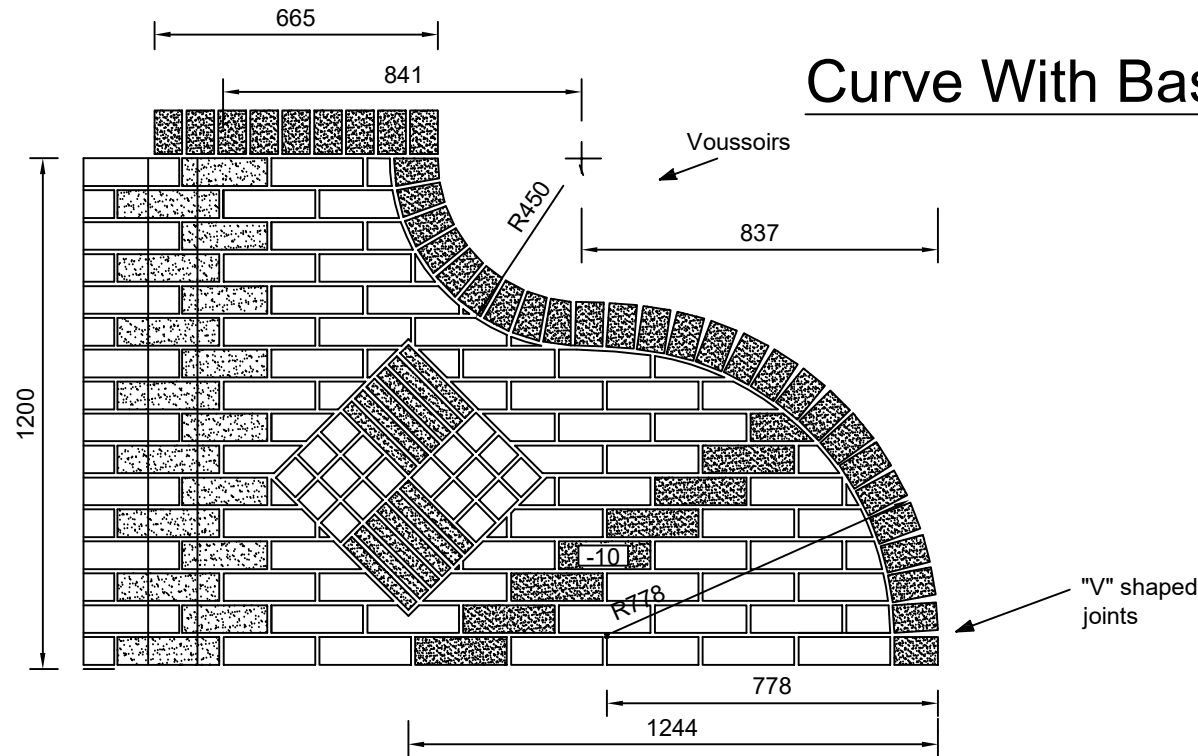
Plan course 2

Specification

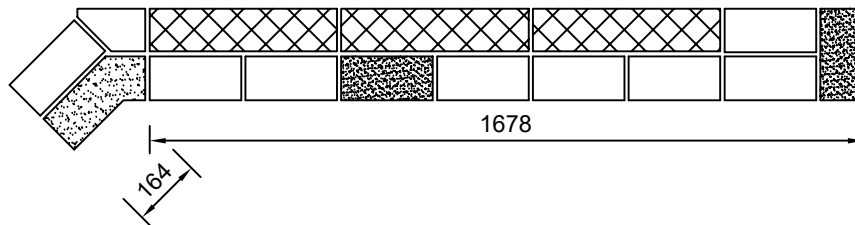
Gauge to be 4 course to 300mm
All brickwork to be $\frac{1}{2}$ round joint finish.
Recessed indents to be flush joint finish.

Skillbuild 2023 UK National Final
Bricklaying
SB-601/10-BRK
Drawn by Jon Mellor 30 - 3 - 2023

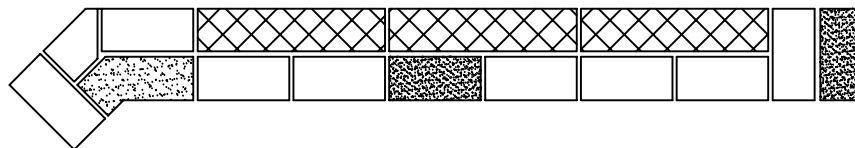
Curve With Basket weave



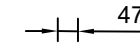
Plan course 1



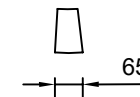
Plan course 2



SPECIFICATION



9 No. voussoirs for concave curve.



Convex curve "V" shaped joints

All bricks on diagonal rake to be set back 10mm

10mm timber pad to be walled between course 1 and 2 to receive fixing for trammel.

Gauge 4 course to 300mm.

All work to be recessed 8mm and ironed smooth with the exception of:-

Contrast on diagonal rake to be Flush joint finish. (*all joints surrounding contrast bricks*)

Contrast bricks on curve and Brick on Edge to be weatherstruck.

Basketweave panel to be pointed in coloured mortar with weatherstruck joint finish.

Do not scale from drawing.