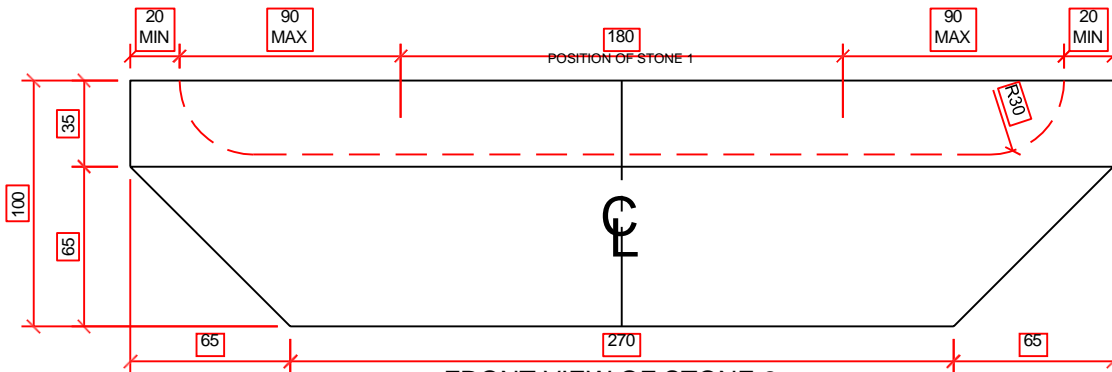
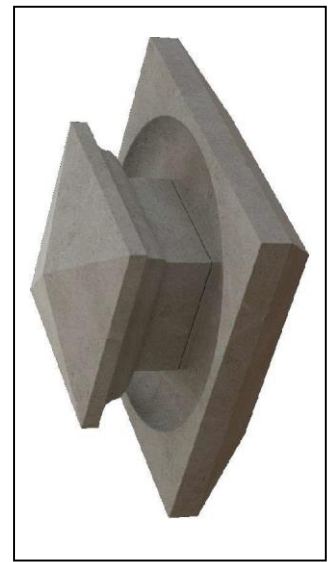
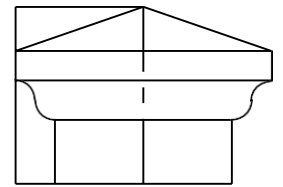


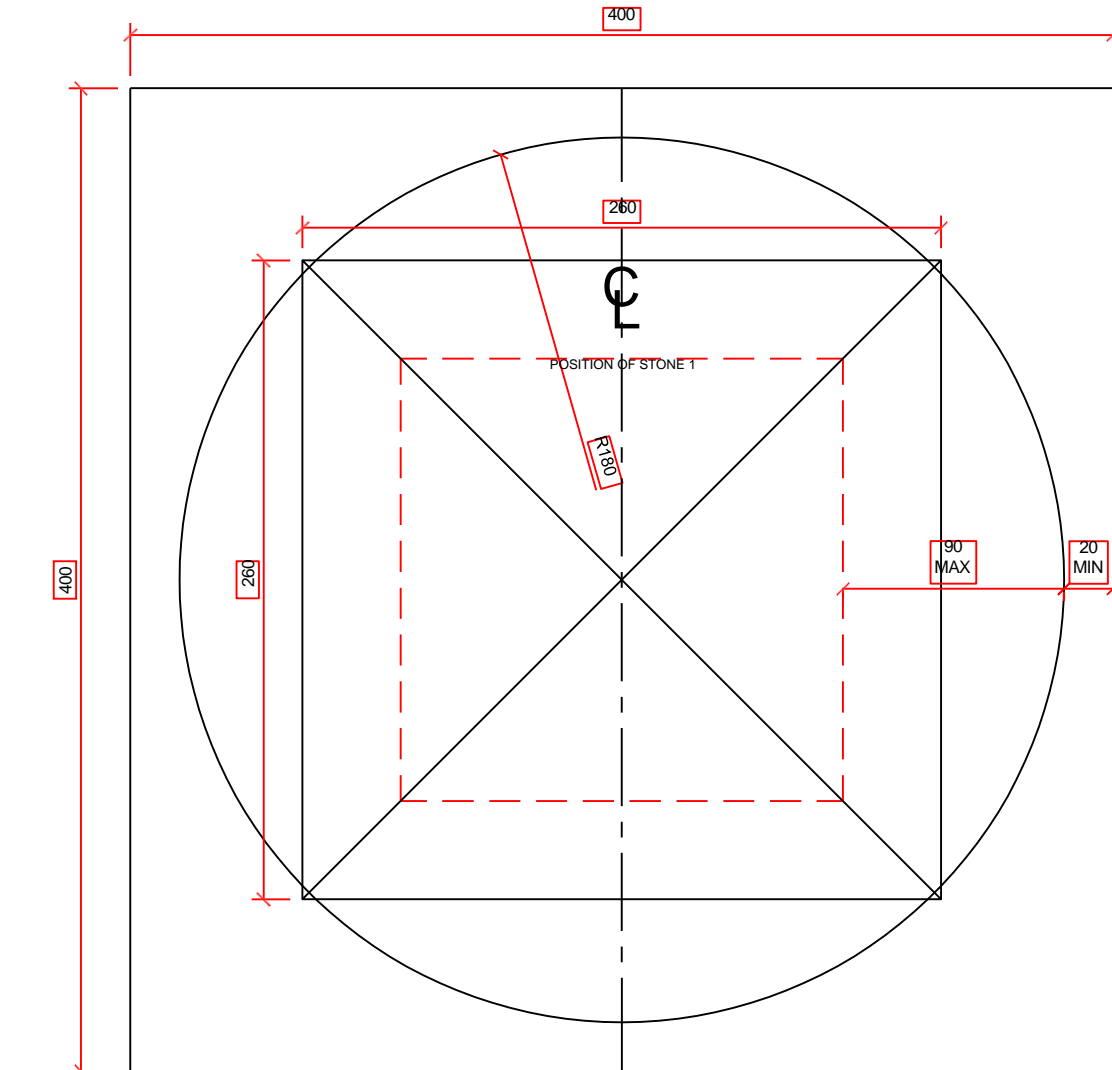
FRONT VIEW OF STONE 1



FRONT VIEW OF STONE 2



STONE 1 TEMPLAT DETAIL



PLAN OF STONES 1 AND 2

