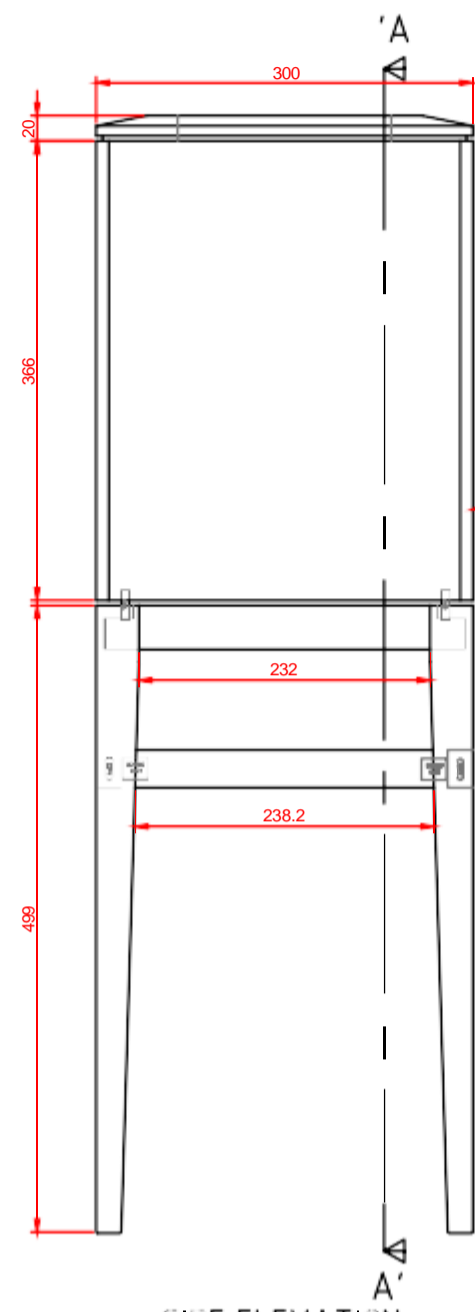
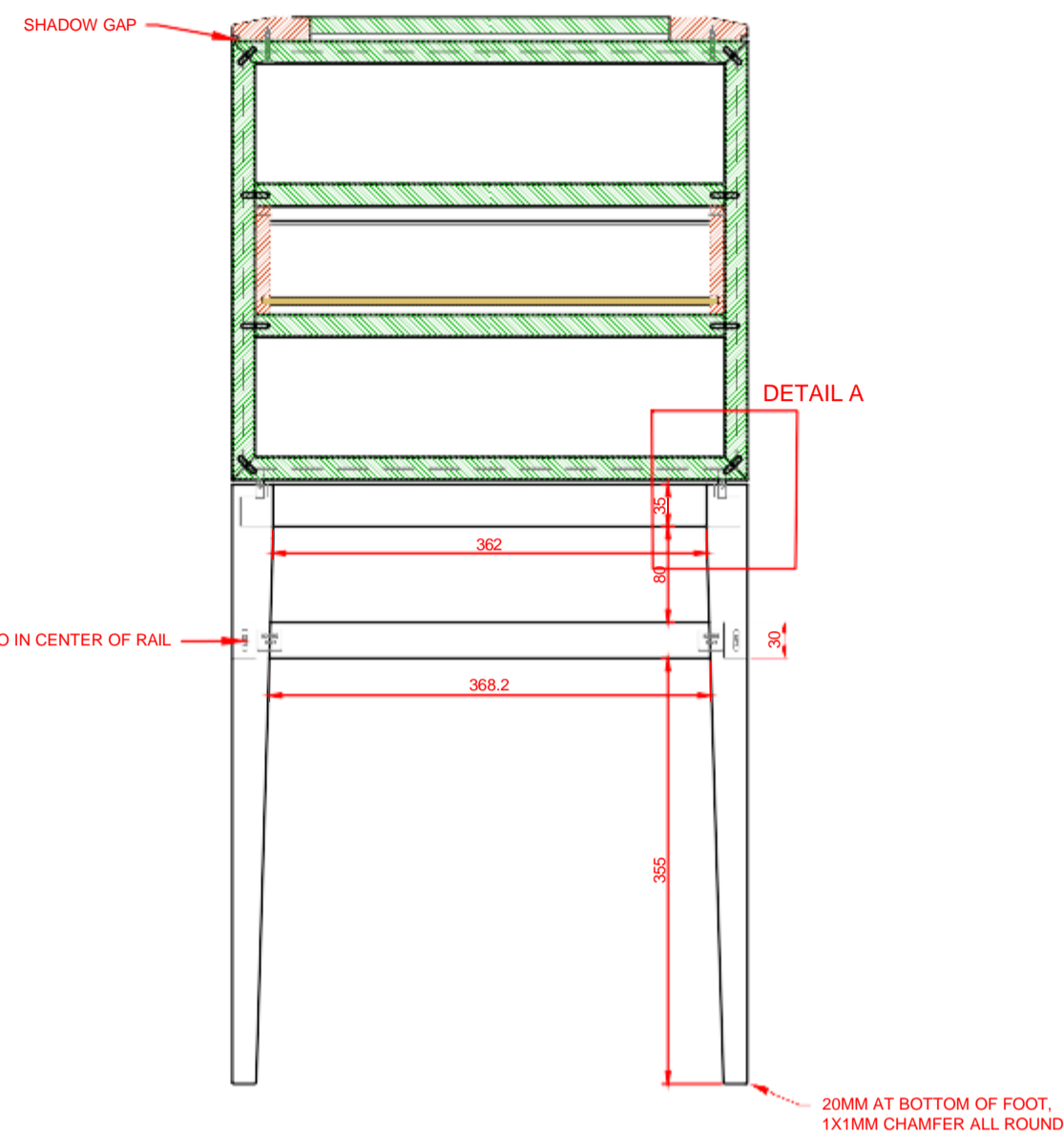


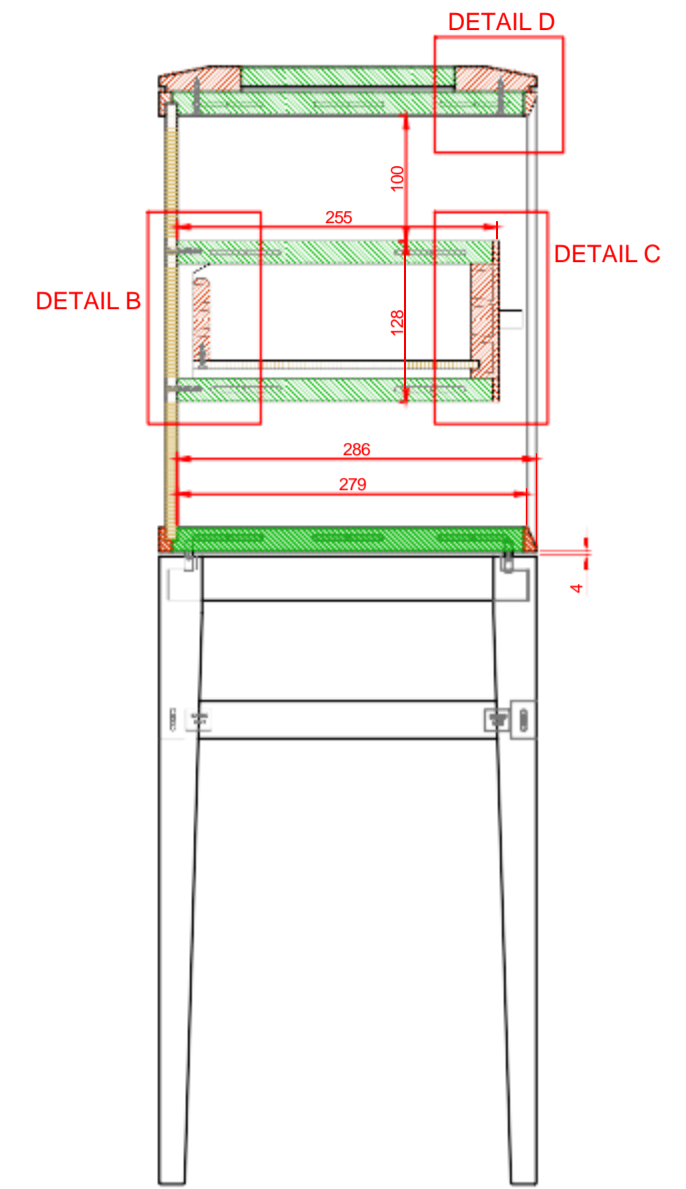
FRONT ELEVATION
SCALE 1:4



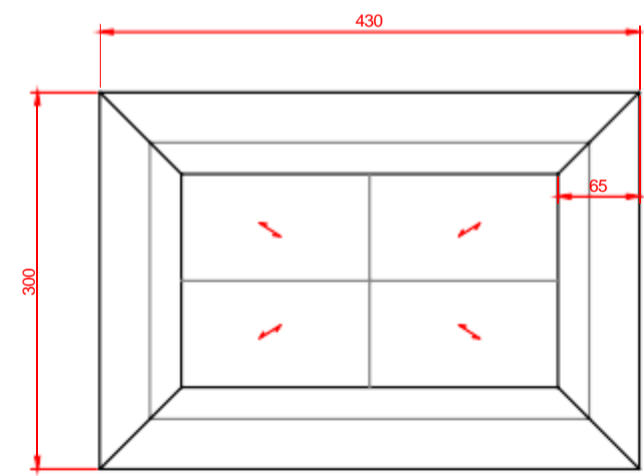
SIDE ELEVATION
SCALE 1:4



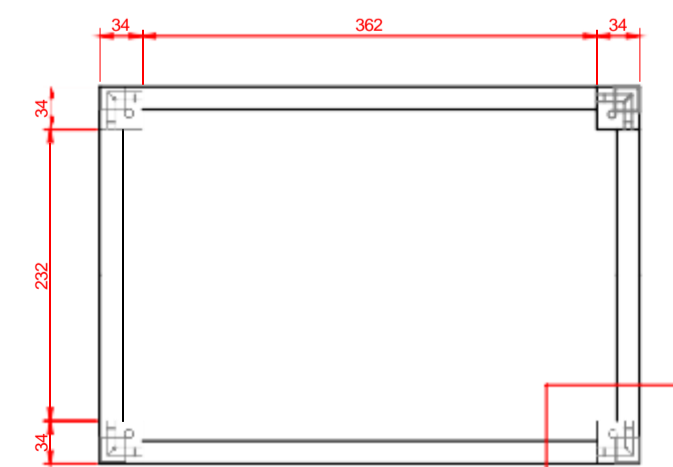
FRONT SECTION A.A
SCALE 1:4



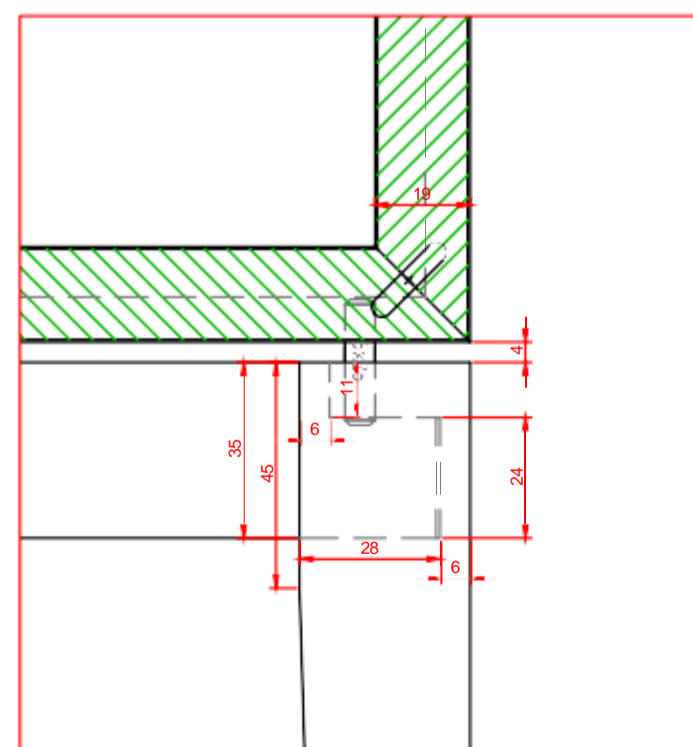
SIDE SECTION B.B
SCALE 1:4



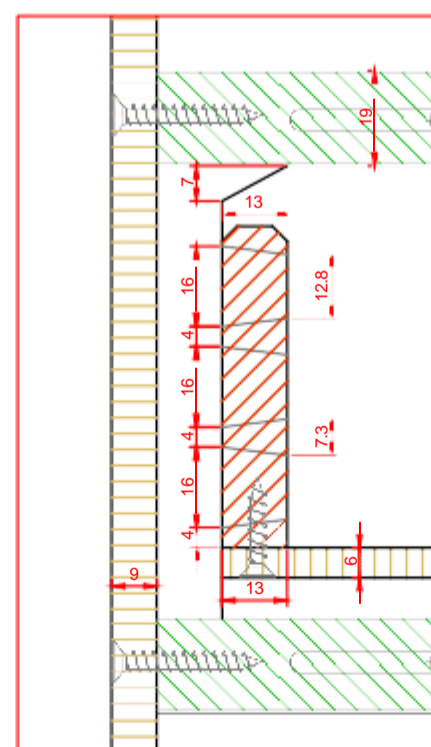
PLAN
SCALE 1:4



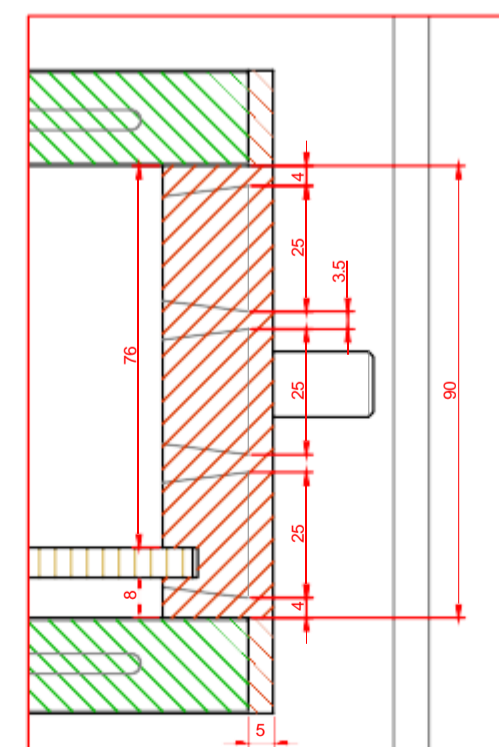
PLAN - LEG
FRAME
SCALE 1:4



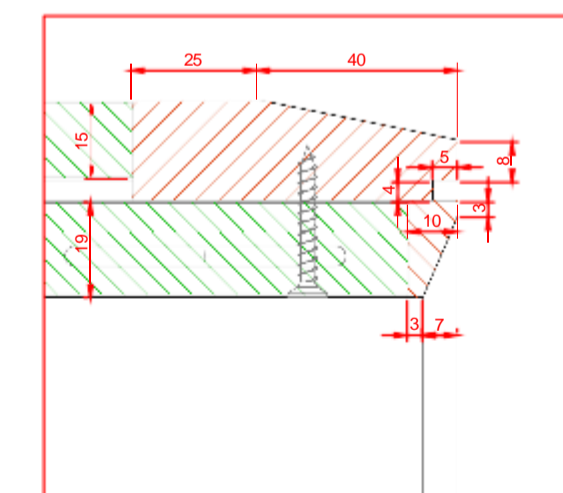
DETAIL A @ SECTION 'A-A'
SCALE 1:1



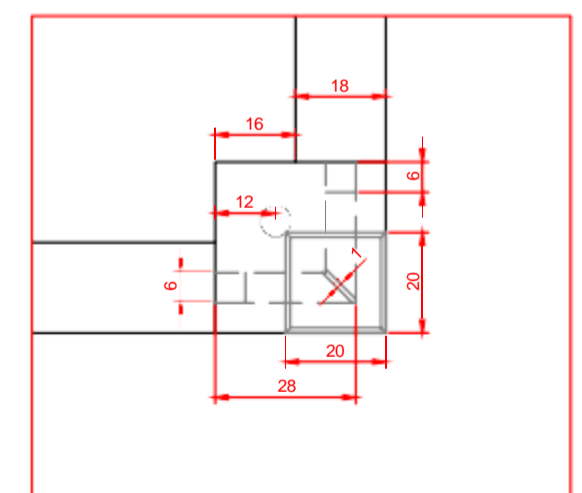
DETAIL B @ SECTION 'B-B'
SCALE 1:1



DETAIL C @ SECTION 'B-B'
SCALE 1:1



DETAIL D @ SECTION 'B-B'
SCALE 1:1



DETAIL E @ PLAN - LEG FRAME
SCALE 1:1