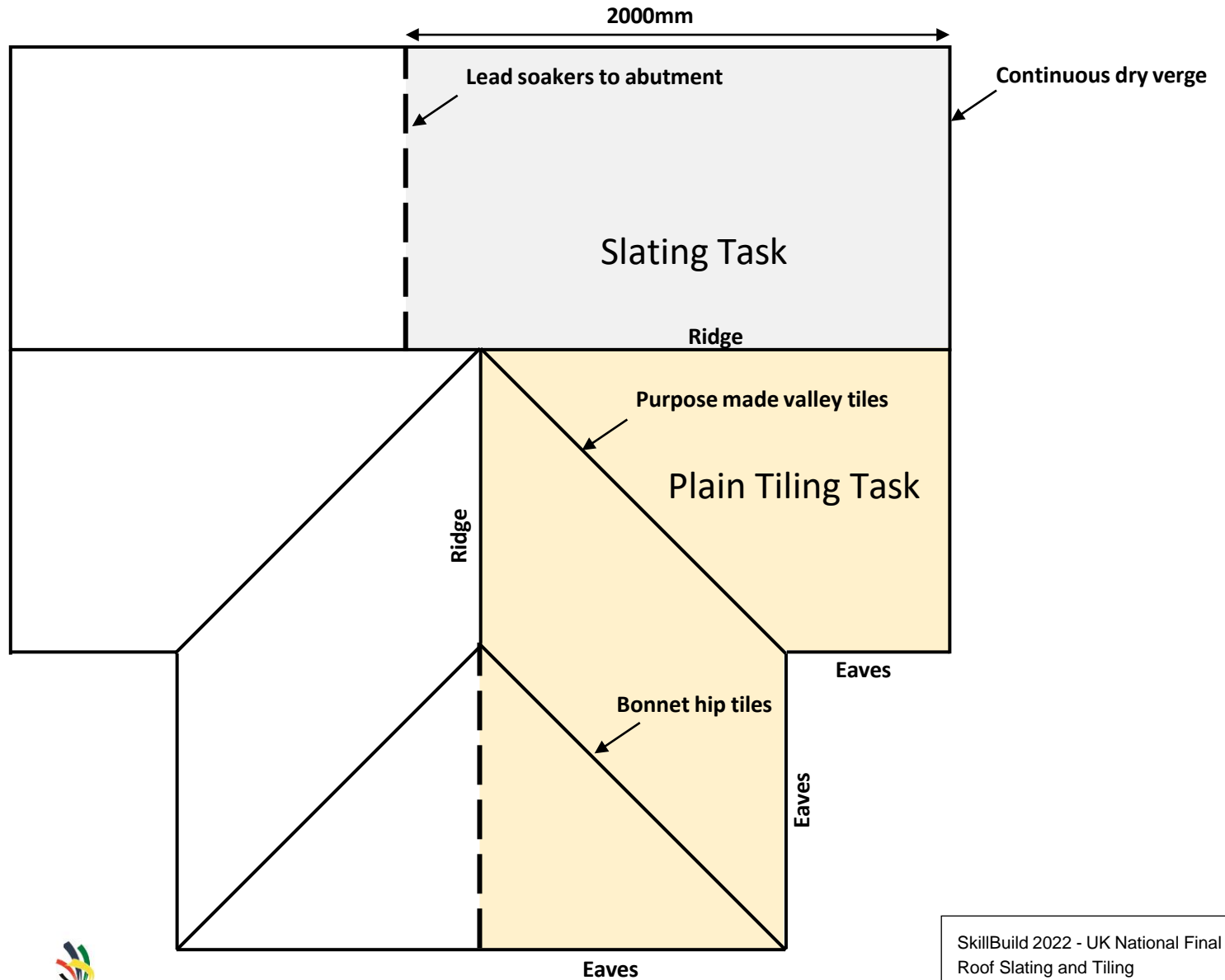
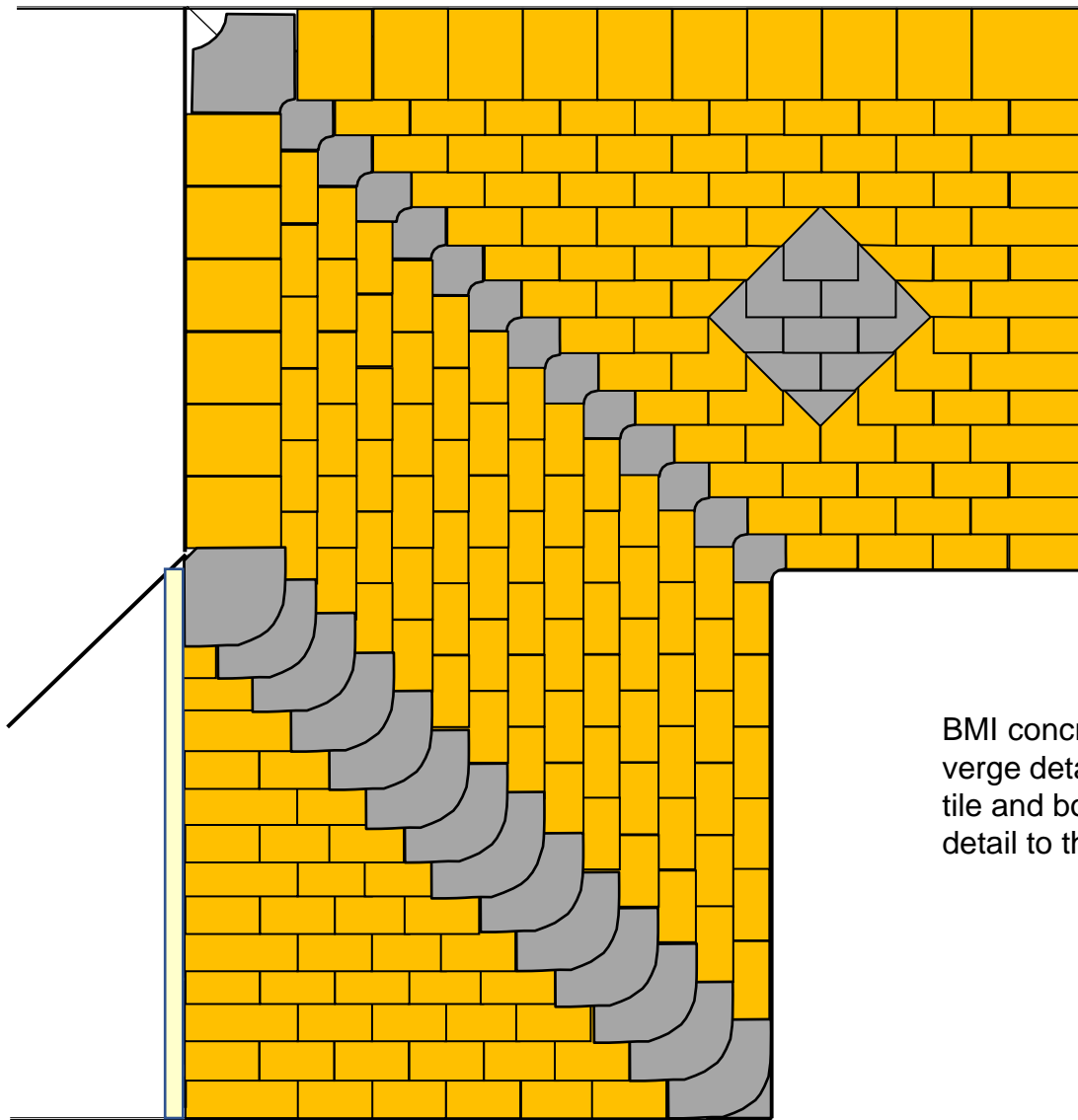


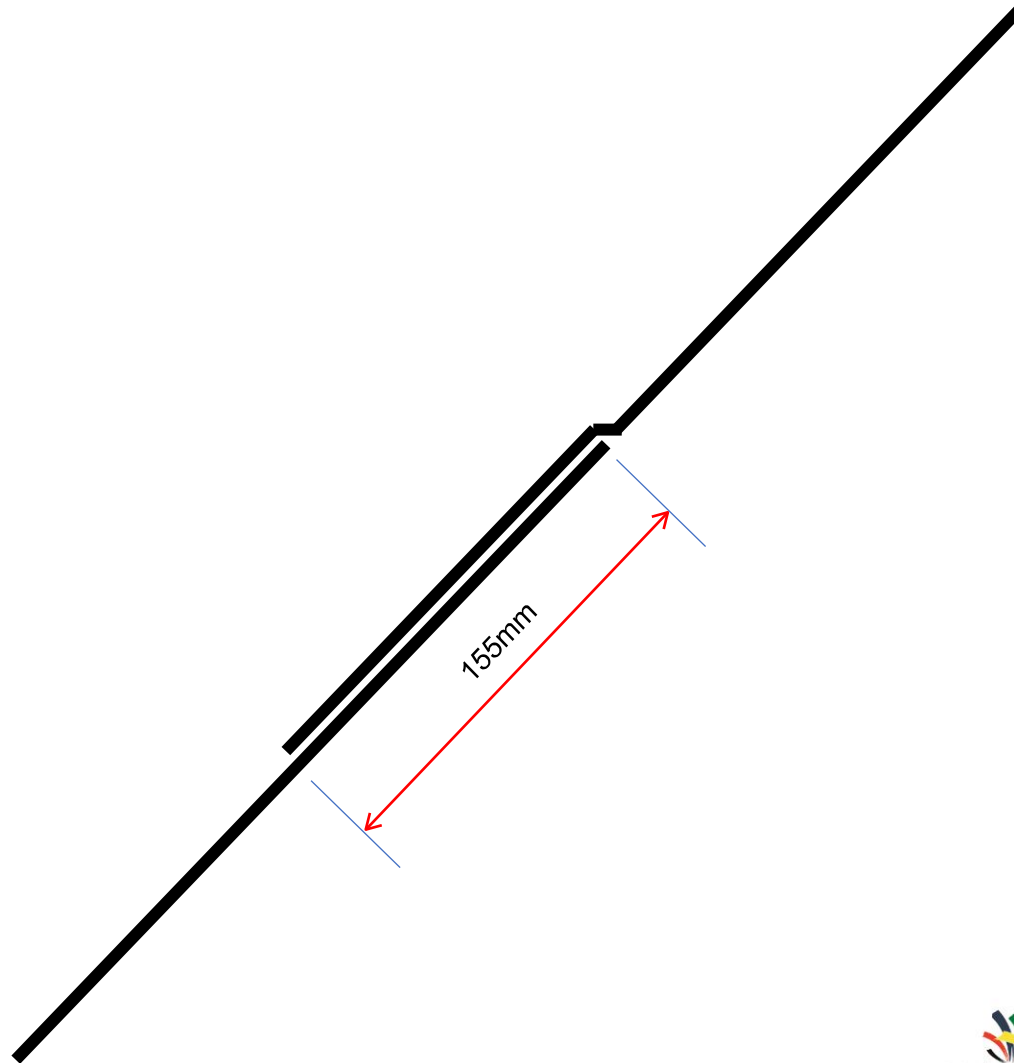
Pitch 45°



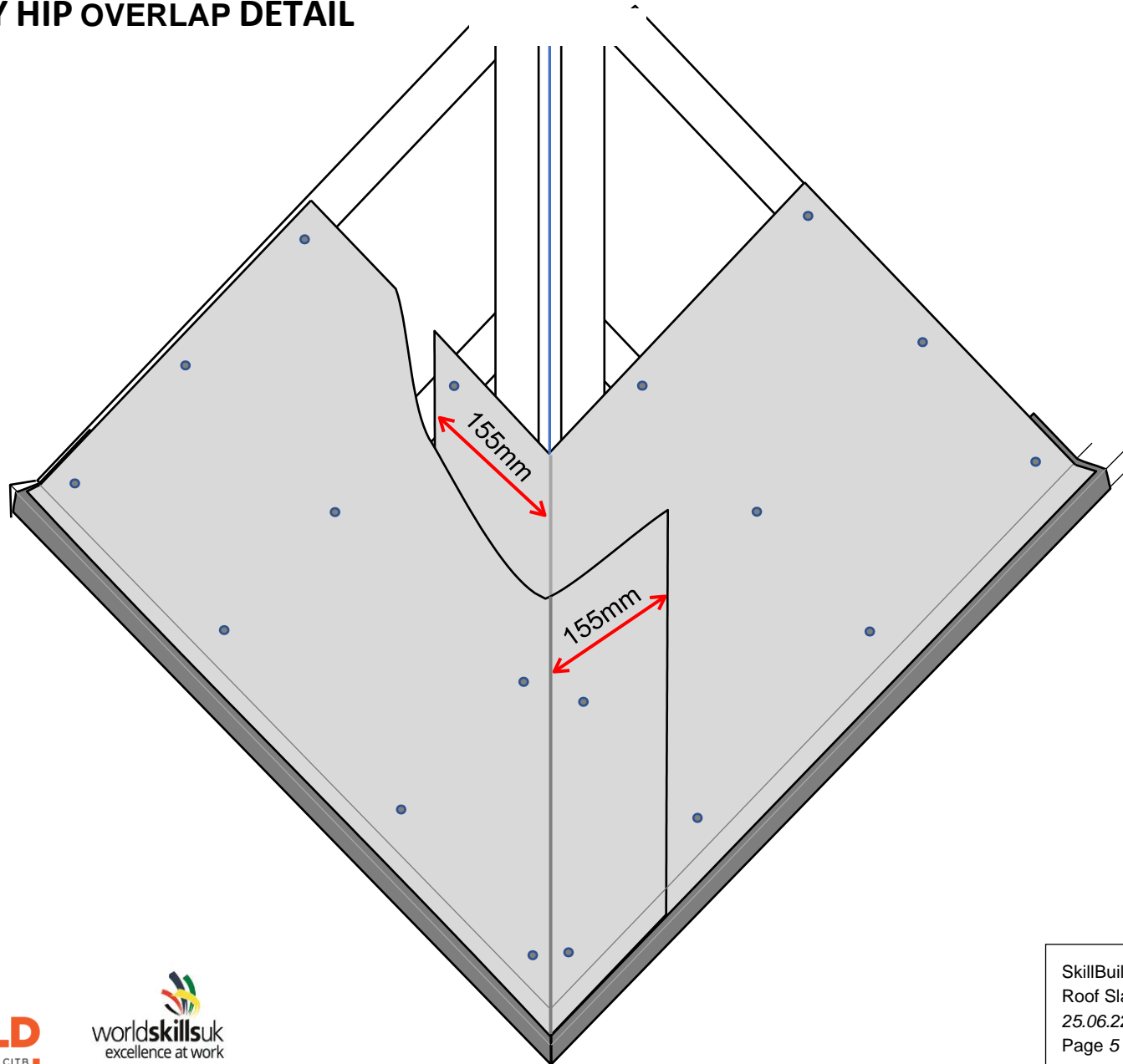


BMI concrete plain tiles hip and valley to a wet verge detail incorporating purpose made valley tile and bonnet hip tiles. Form a small diamond detail to the valley to verge section

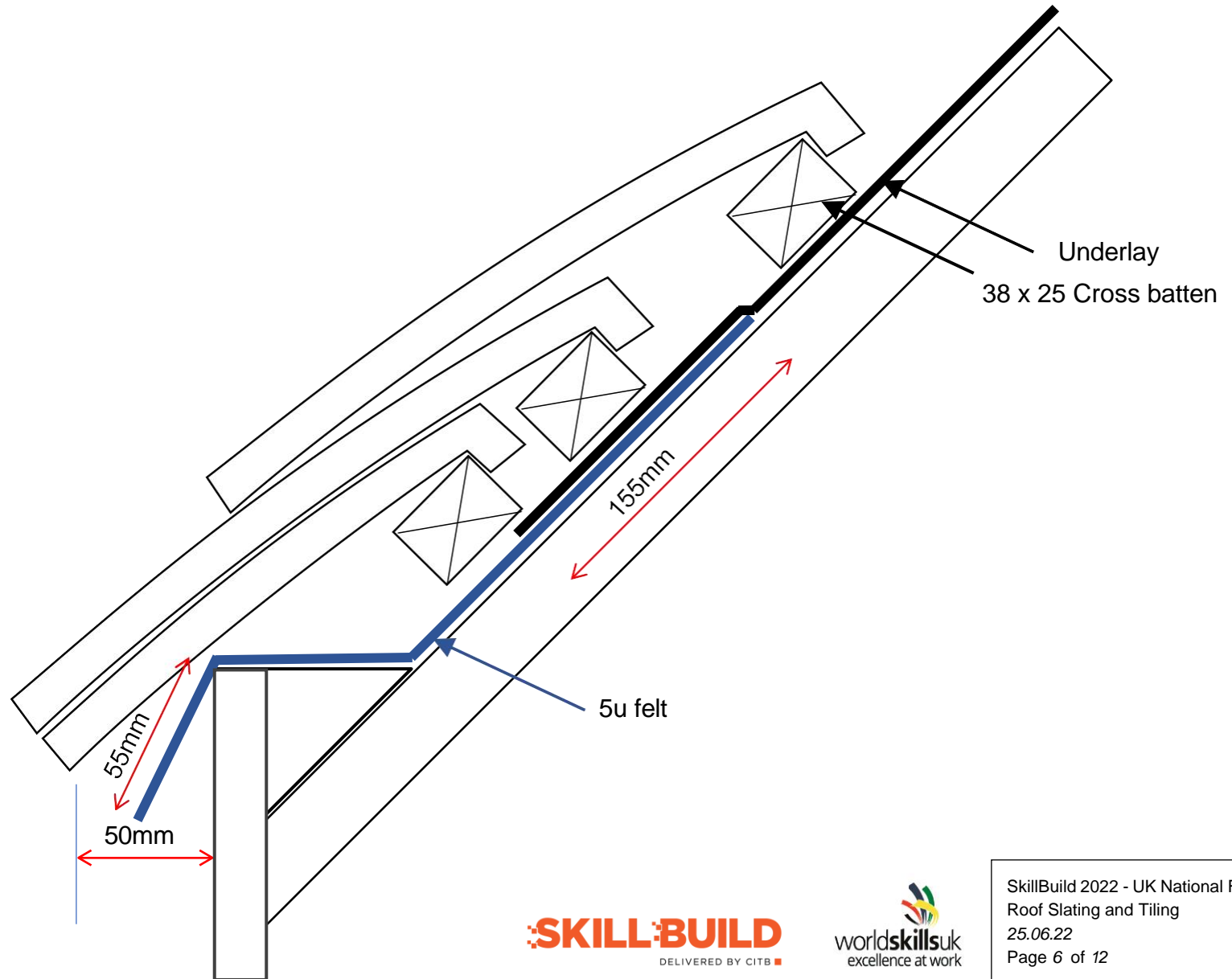
UNDERLAY HORIZONTAL LAP DETAIL



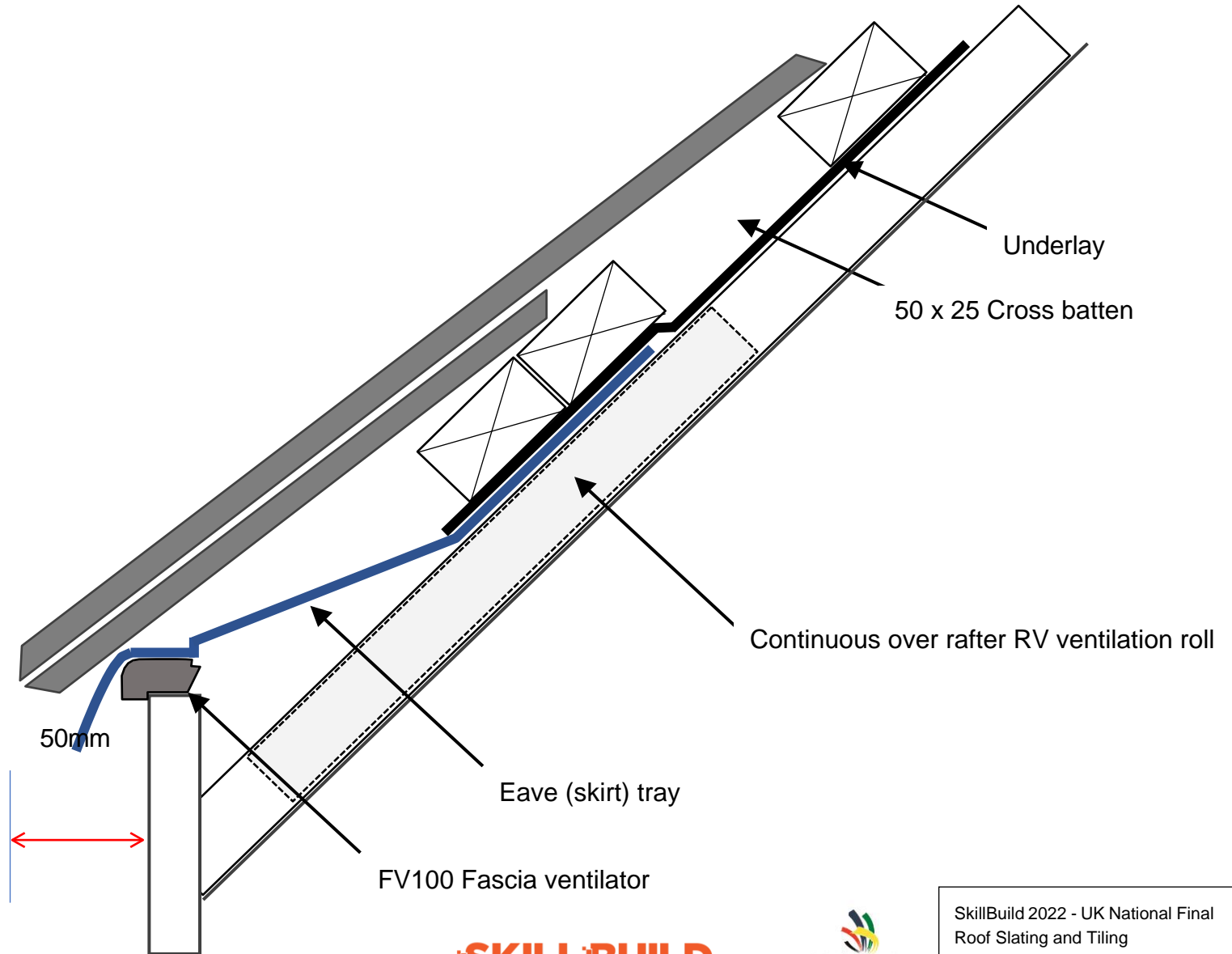
UNDERLAY HIP OVERLAP DETAIL



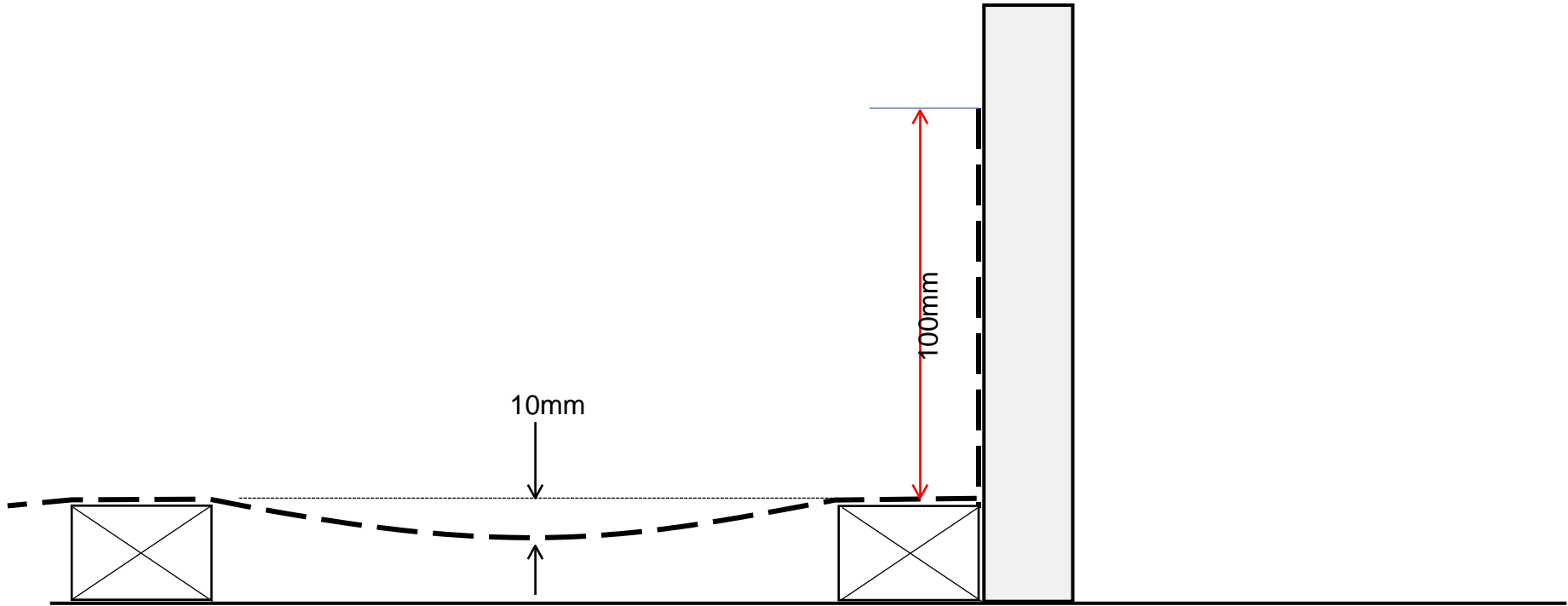
PLAIN TILE EAVE DETAIL



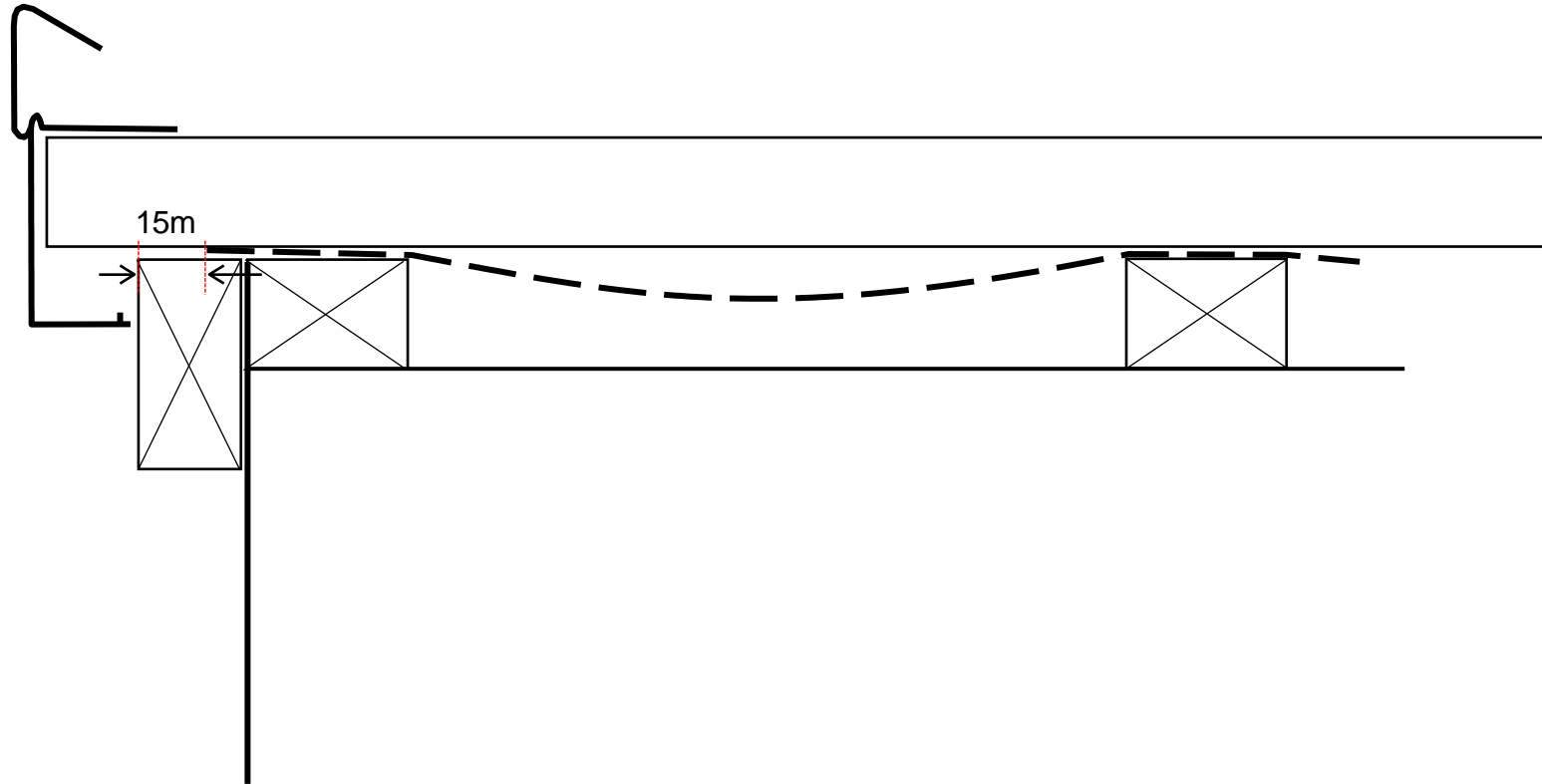
SLATE EAVE DETAIL



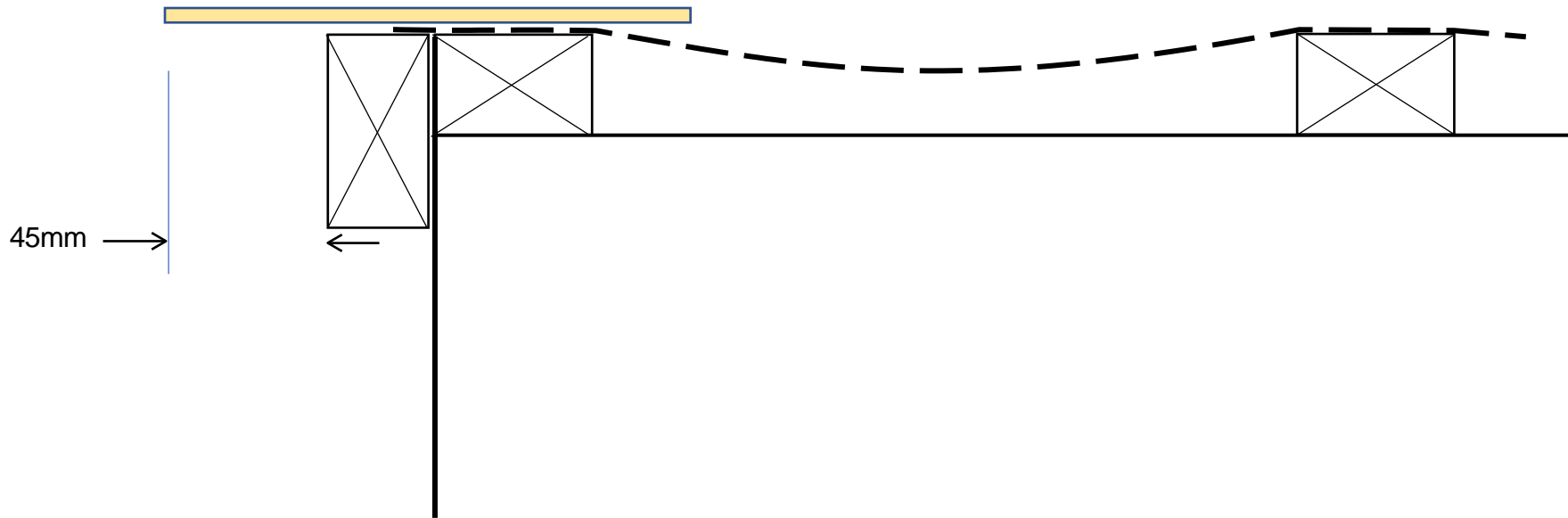
UNDERLAY ABUTMENT DETAIL



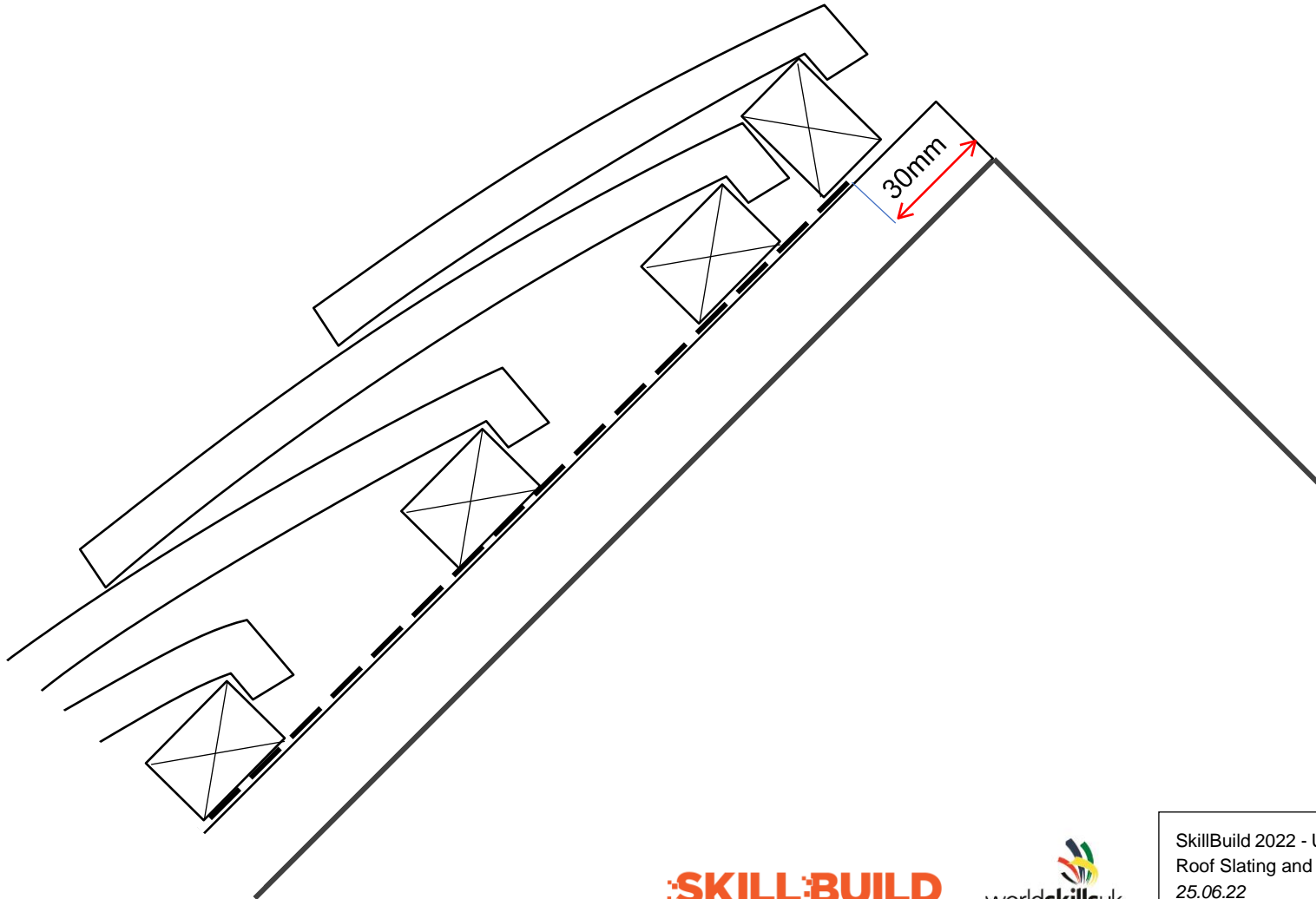
SLATE VERGE DETAIL



UNDERCLOAK VERGE DETAIL



UNDERLAY RIDGE DETAIL



BATTEN HIP DETAIL

